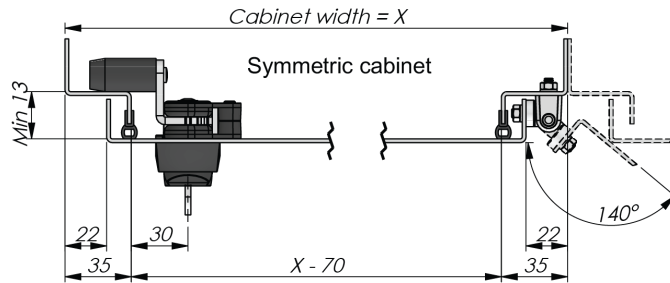


VISION Inside – Cabinet design example



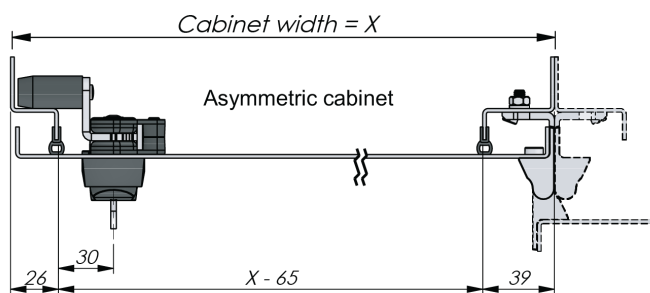
Symmetric frame, surface mounted door

Cabinet with standard frame. Door is not covering the total width of frame. Visible hinges.

Opening angle door: 140°

Related products

- Swing or lift handles, escutscheon (various)
- External hinge 180° (3-451)
- Sealing profiles



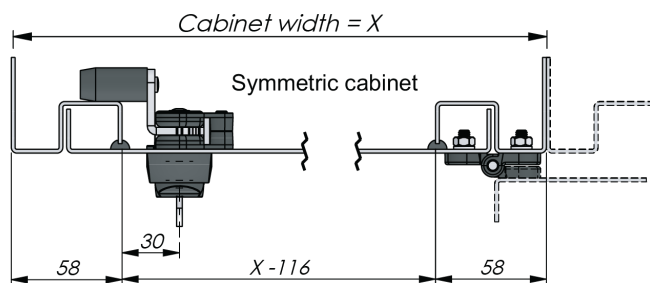
Asymmetric frame, surface mounted door, joined cabinets

Minimized space for frame design, maximized usable cabinet width. External hinges optional with earthing kit.

Opening angle door: 180°

Related products

- Swing or lift handles, escutscheon (various)
- Hinge for doors with adjacent cabinets 180° (3-310)
- Sealing profiles



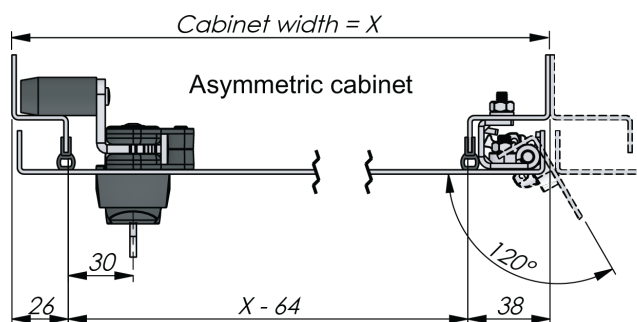
Asymmetric frame, surface mounted door

Minimized space for frame design, maximized usable cabinet width. Concealed hinges.

Opening angle door: 120°

Related products

- Swing or lift handles, escutscheon (various)
- Concealed lift off click hinge 120° (3-094 & 3-095)
- Sealing profiles



Symmetric frame, flush door

For flush mounted doors, minimized space for frame design, maximized usable cabinet width.

External hinges, optional lift off function.

Opening angle door: 180°

Related products

- Swing or lift handles, escutscheon (various)
- External hinge 54x43 mm 180° (3-328)
- External lift off hinge 80x65 mm 180° (3-413)
- Sealing profiles