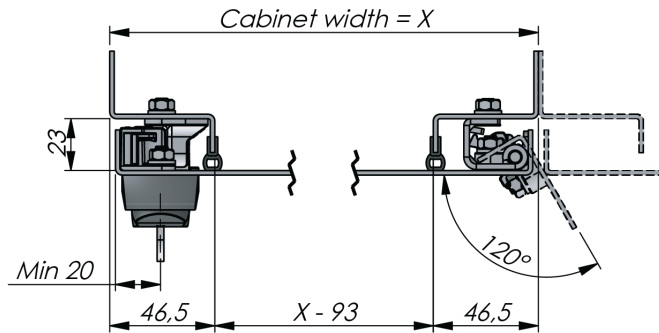


## VISION Outside – Cabinet design example



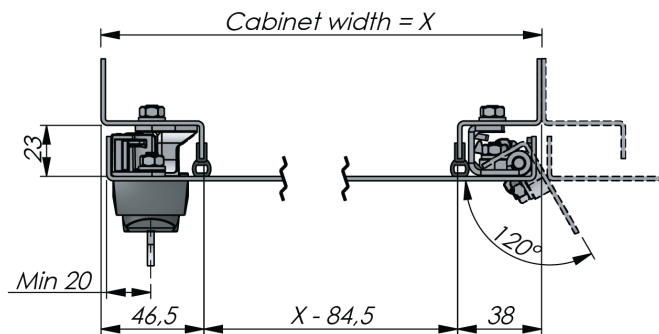
### Symmetric frame, surface mounted door

Typical design for use of Vision Outside and concealed hinges.

Opening angle door: 120°

#### Related products

- Swing or lift handles, escutscheon (various)
- Concealed lift off click hinge 120° (3-094 & 3-095)
- Sealing profiles



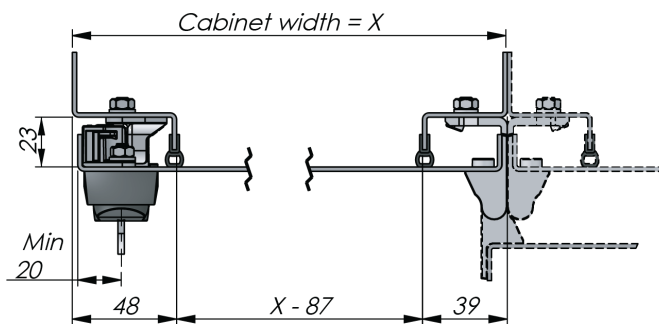
### Asymmetric frame, surface mounted door

Minimized space for frame design, maximized usable cabinet width. Concealed hinges.

Opening angle door: 120°

#### Related products

- Swing or lift handles, escutscheon (various)
- Concealed lift off click hinge 120° (3-094 & 3-095)
- Sealing profiles



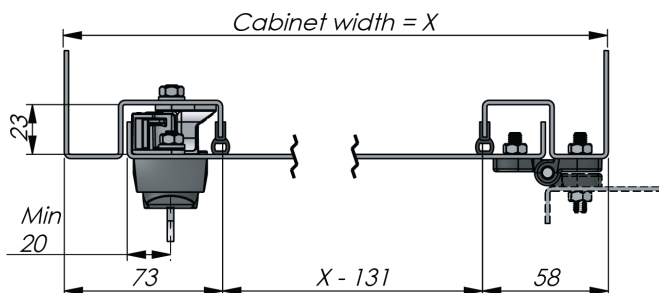
### Asymmetric frame, surface mounted door, joined cabinets

Minimized space for frame design, maximized usable cabinet width. External hinges optional with earthing kit.

Opening angle door: 180°

#### Related products

- Swing or lift handles, escutscheon (various)
- Hinge for doors with adjacent cabinets 180° (3-310)
- Sealing profiles



### Symmetric frame, flush door

For flush mounted doors, minimized space for frame design, maximized usable cabinet width.

External hinges, optional lift off function.

Opening angle door: 180°

#### Related products

- Swing or lift handles, escutscheon (various)
- External hinge 54x43 mm 180° (3-328)
- External lift off hinge 80x65 mm 180° (3-413)
- Sealing profiles