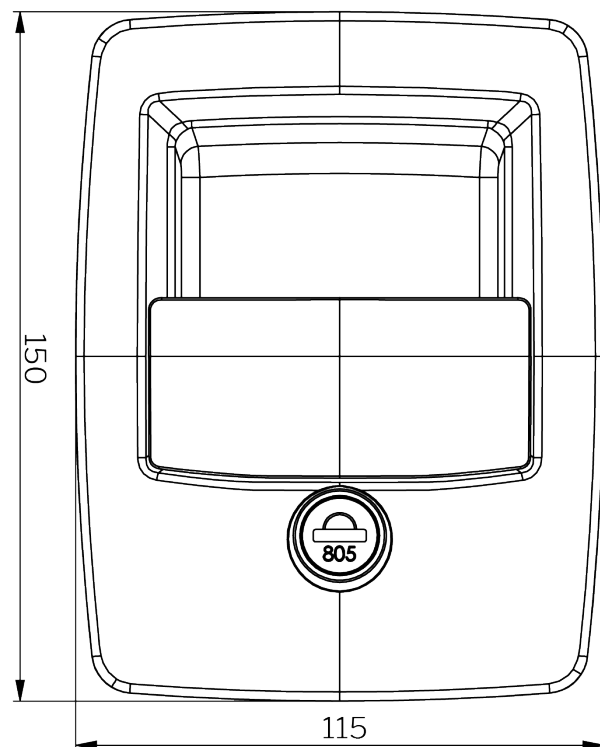
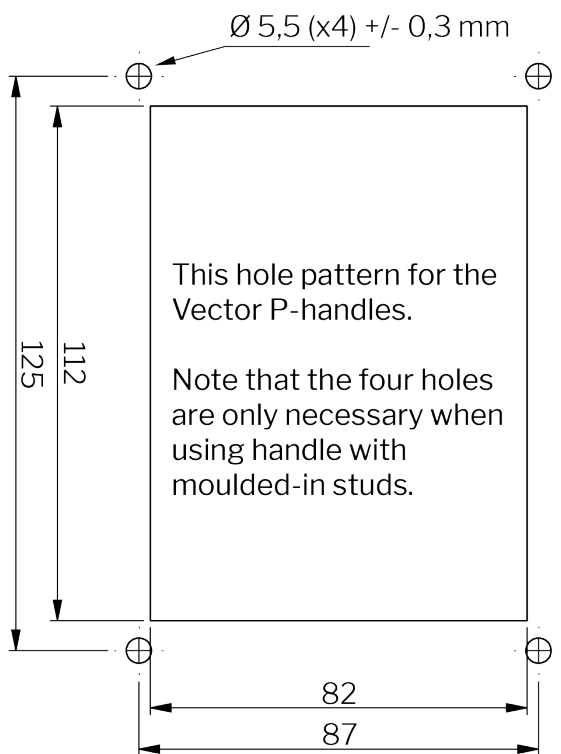
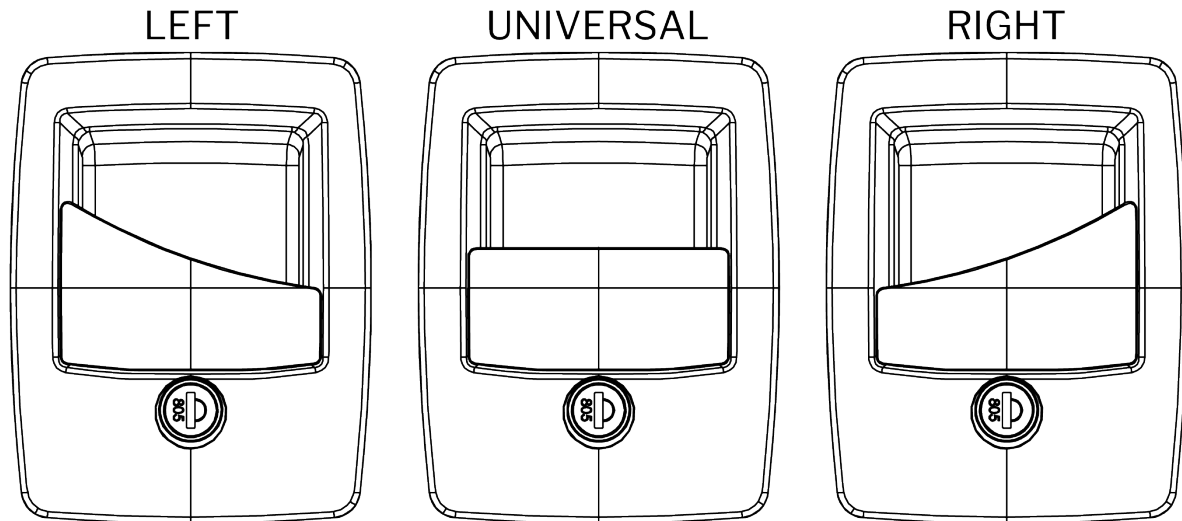


VECTOR P – Handle types



Wherever a slam action paddle latch is required Industrilås offers a unique solution. Our brand new system Vector P is available with three different latching mechanisms to meet exactly your requirements. Patented latching solution and a registered design.

Vector P product line is developed for heavy duty use in tough environments, for on- and off-road applications. Smart choices of material in every single component create products with less weight which are more cost effective compared to traditional all stainless steel paddle latches. Unique contemporary design with great ergonomic characteristics is just a bonus on all our Vector P handles.

Common characteristics and advantages for all three latching versions. Learn more about the advantages of the different latching solutions on [industrilas.com](https://www.industrilas.com).

Vector P Hooked Cam	Product ID 2-831
Vector P Two-Point Latch	Product ID 2-832
Vector P Rotary Latch	Product ID 2-834

- All Vector P handles can be chosen either with mounting bracket or four moulded-in screws. Both options provide an aesthetic blind mount not visible from the outside.
- Available as left, universal or right handle version for best ergonomics and for design possibilities.
- Same rectangular cut out for all Vector P latches.
- Supplied with 805 or CH751 cylinder with stainless steel 304 cap and dust shutter. Two keys are included. Other cylinders can be ordered upon request.
- Obtains IP65 with PUR-in-place gasket.
- Can be ordered with or without striker.
- The light weight glass fibre reinforced polyamide (PA6GF30) used for the tray and handle provide a robust handle with excellent corrosion resistance.