



直角回转圆形门锁

用于卡入式安装的圆形门锁和杆式门锁。快速杆连接。凸轮顺时针或逆时针旋转 90°。适用左右安装方式，适合厚度为 0.8-1.0 毫米的门体。锁芯有 1,000 种按键组合。



材质

Cam: Hardened steel

Clip: 尼龙6+30%玻纤

Cylinder: Brass, nickel plated in matt finish

把手: 尼龙6+30%玻纤

Housing: 尼龙6+30%玻纤

相关产品

连杆: 2-540, 2-541

连杆导向件: 2-560, 2-570

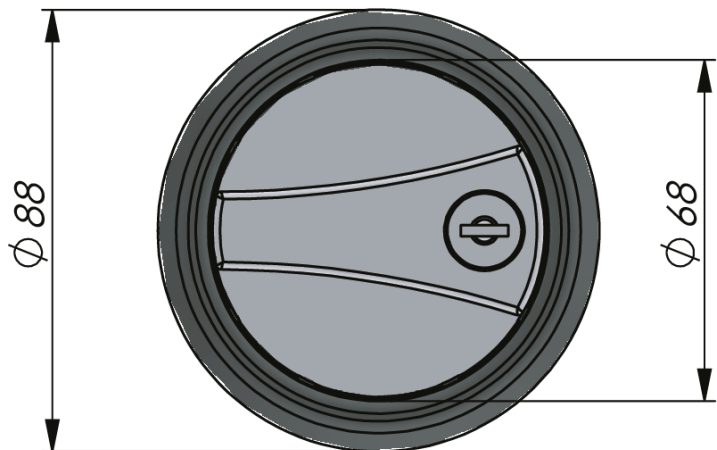
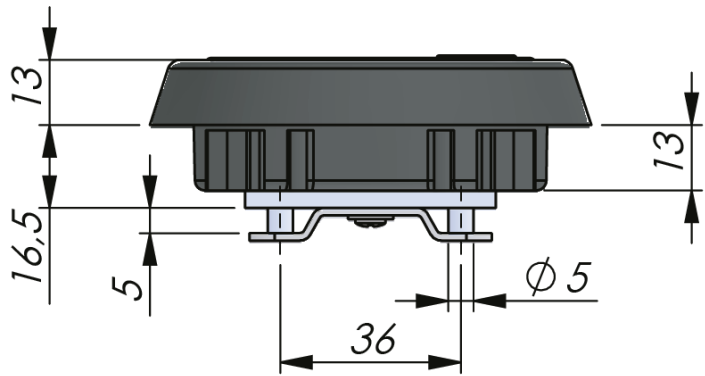
索引编号见网站 industrilas.com

TESTS & STANDARDS

Key extraction: Open / Closed

钥匙信息: 按需求可提供其他锁钥匙组合

Master key system available on request. The two-point cam has a stroke of 18 mm and H=13 mm. The three-point cam has a stroke of 18 mm with L=60 mm and H=13 mm.



Industrilas
— When access counts —

