



QUARTER-TURN CIRCULAR LATCHES

Circular latch for clip-in mounting and rod latches. Quick rod attachment. Cam rotation is 90° clockwise or counter-clockwise. Universal right and left mounting in a door thickness of 0,8 - 1,0 mm. The cylinder has 1000 key combinations.



MATERIAL

Cam: Steel, zinc plated

Clip: Steel, zinc plated

Cylinder: Zinc die cast, stainless steel 304 cap and dust shutter

Handle: Zinc die cast, silver grey coated

Housing: Glass fibre reinforced Polyamide (PA6GF30)

RELATED PRODUCTS

Rods: 2-540, 2-541

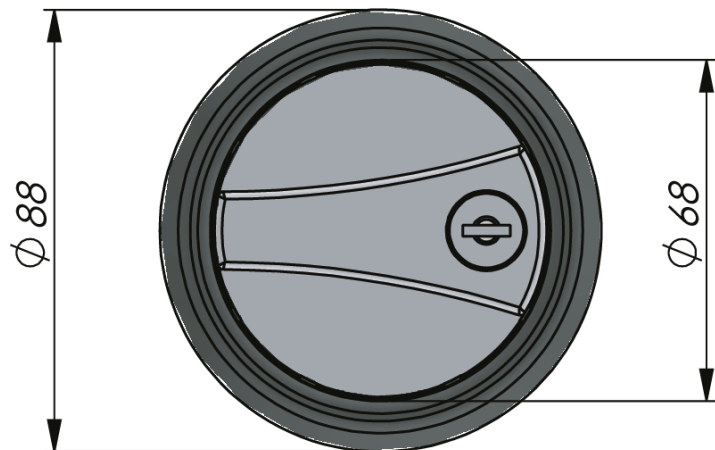
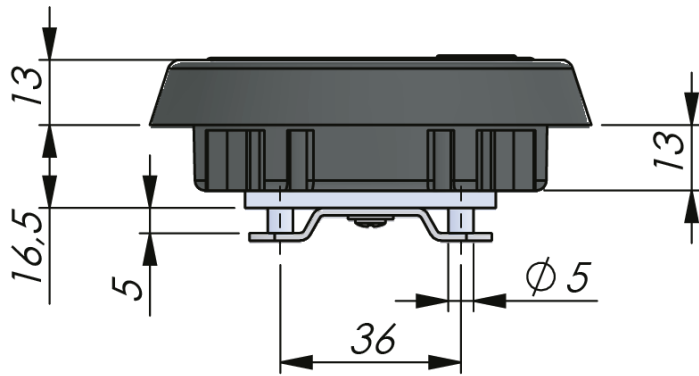
Rod guides: 2-560, 2-570

Use the Index Code at industrilas.com

TECHNICAL INFORMATION

Key extraction: Open / Closed

Cylinder information: Supplied with two keys
Master key system available on request. The two-point cam has a stroke of 18 mm and H=13 mm. The three-point cam has a stroke of 18 mm with L=60 mm and H=13 mm.



| P/N | Description | Cam |
|-------------|-----------------|-------------|
| 723101032 | Keyed to differ | Two-point |
| 723101032-1 | Keyed alike | Two-point |
| 723101080 | Keyed to differ | Three-point |
| 723101080-1 | Keyed alike | Three-point |

Industrilas
— When access counts —

