

QUARTER-TURN SQUARE LATCHES



Square latch for clip-in mounting and rod latches with quick rod attachment. Cam rotation is 90° clockwise or counter-clockwise. Universal right and left mounting in a door thickness of 0,8 - 1,0 mm. The cylinder has 1000 key combinations.



MATERIAL

Cam: Steel, zinc plated

Clip: Steel, zinc plated

Cylinder: Zinc die cast, stainless steel 304 cap and dust shutter

Handle: Zinc die cast, silver grey coated

Housing: Glass fibre reinforced Polyamide (PA6GF30)

RELATED PRODUCTS

Rods: 2-540, 2-541

Rod guides: 2-560, 2-570

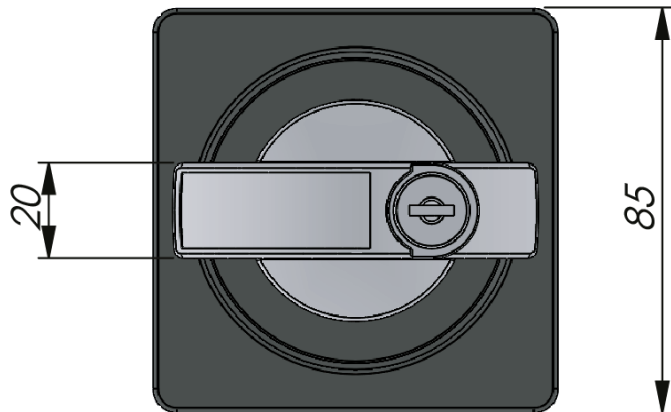
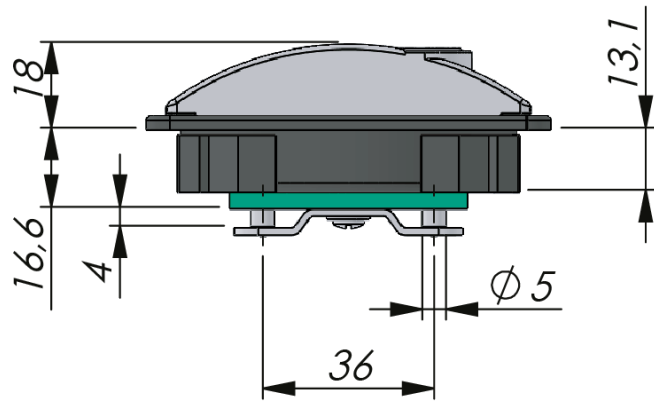
Use the Index Code at industrilas.com

TECHNICAL INFORMATION

Key extraction: Open / Closed

Cylinder information: Supplied with two keys

Master key system available on request.



Industrilas
— When access counts —

P/N	Description
72350001-1	Keyed alike
72350001-2	Keyed to differ

