

PUSH-BUTTON SLAM LATCH



7-pin tubular cam-lock with slam-latch-action. The spring loaded cam is operated by the lockable push button. Supplied with mounting nut.



MATERIAL

Cam: Zinc die cast, chrome plated

Housing: Zinc die cast, chrome plated

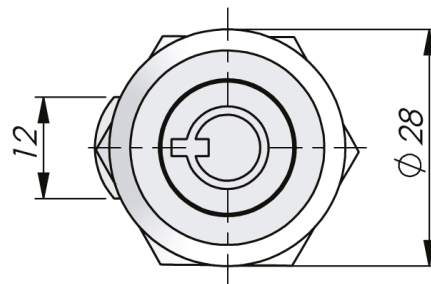
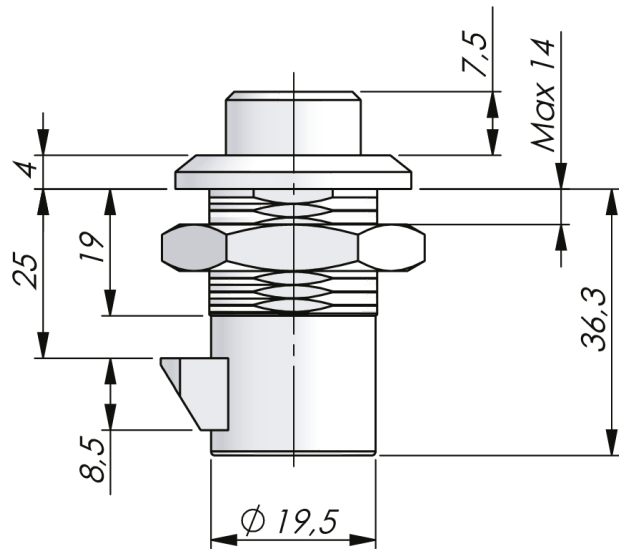
Nut: Zinc die cast, chrome

TECHNICAL INFORMATION

Cutout: COMBI

Cylinder information: Supplied with two keys

Key extraction: Open / Closed



Industrilas
— When access counts —

P/N

2698-209740-2515

2698-209840-2515

Cylinder

Keyed alike IL0205

Keyed to differ

