



VISION OUTSIDE HEAVY-DUTY

Vision Heavy-duty 专为存在电弧爆炸危险的中低电压应用而设计。Vision Heavy-duty 锁具系统允许沿门体的多个侧面操作重型锁点。您可以根据需要间隔布置重型锁点，然后增加 Vision 导向点来简化关门操作。您需要在门上您想要安装锁点的每个侧面上增加一个转向角。如果需要使用锁具系统来防止电弧引发事故（防爆炸用途），必须将整个设施（机柜和锁具系统）交由相关机构进行测试审批，取得使用证书。锁定杆将根据不同应用量身定制。如需更多信息，请联系 Industrias.



材质

Cog wheel: 不锈钢304

Control mechanism: Zinc die cast, zinc plated, special surface treatment* or glass fibre reinforced polyamide (PA6GF30)

滑轮: 铜

Guide block: Zinc, zinc plated, polyamide (PA6GF30)

Latch point: Glass fibre reinforce polyamide (PA6GF30)

Rod: 不锈钢304

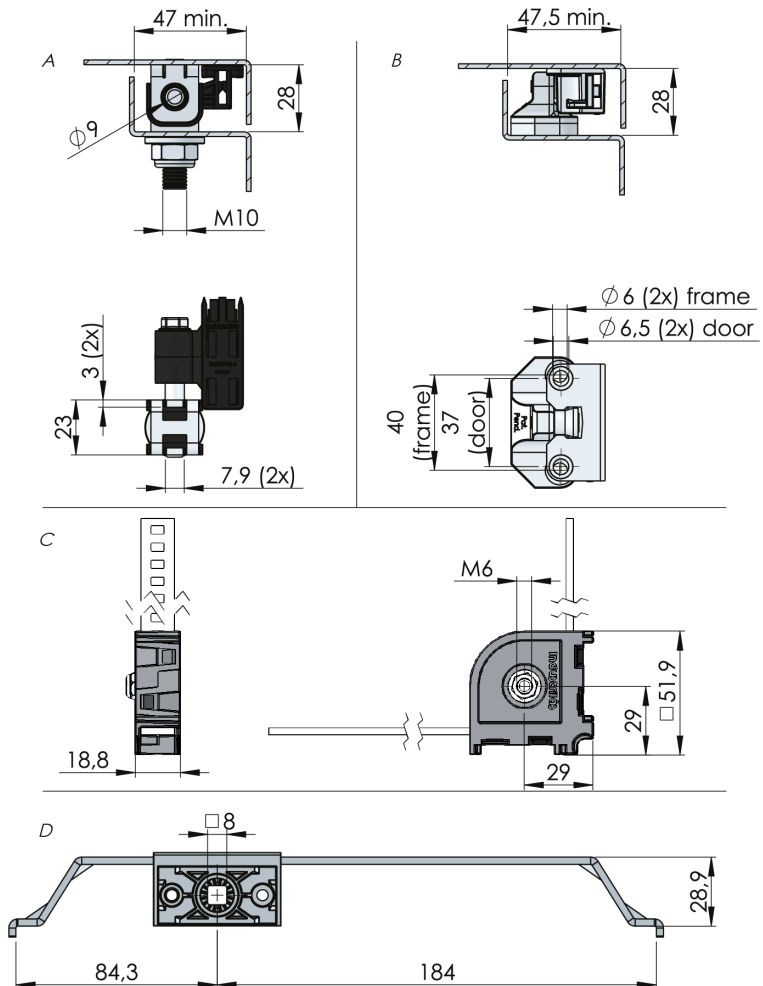
相关产品

把手: 1-004.04, 1-006.50, 1-002.01, 1-002.03, 1-002.02, 1-002.08, 1-006.01, 1-006.03, 1-007, 1-005.10, 6-010

索引编号见网站 industrias.com

TESTS & STANDARDS

Rods will be designed for each application. Please contact Industrias. The door part of the heavy-duty latching point is welded onto the door. The assembly is powder-coated after welding and finally the PA6 guide bushings are snapped in position.



Industrias
— When access counts —