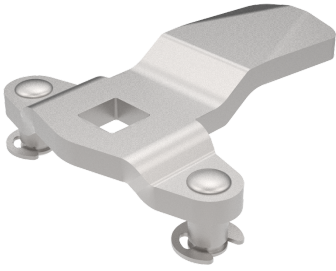


VISION-TREPUNKTSREGLAR, STÅL



Trepunktsreglar utan knaster för svänghandtag. Slag: 20 mm. E-clips medföljer. I ritningen och tabellen nedan är A insidan mot regelns ingreppspunkt.

MATERIAL

Regel: Stål, förzinkad

RELATERADE PRODUKTER

Liknande produkter: 1-008.50

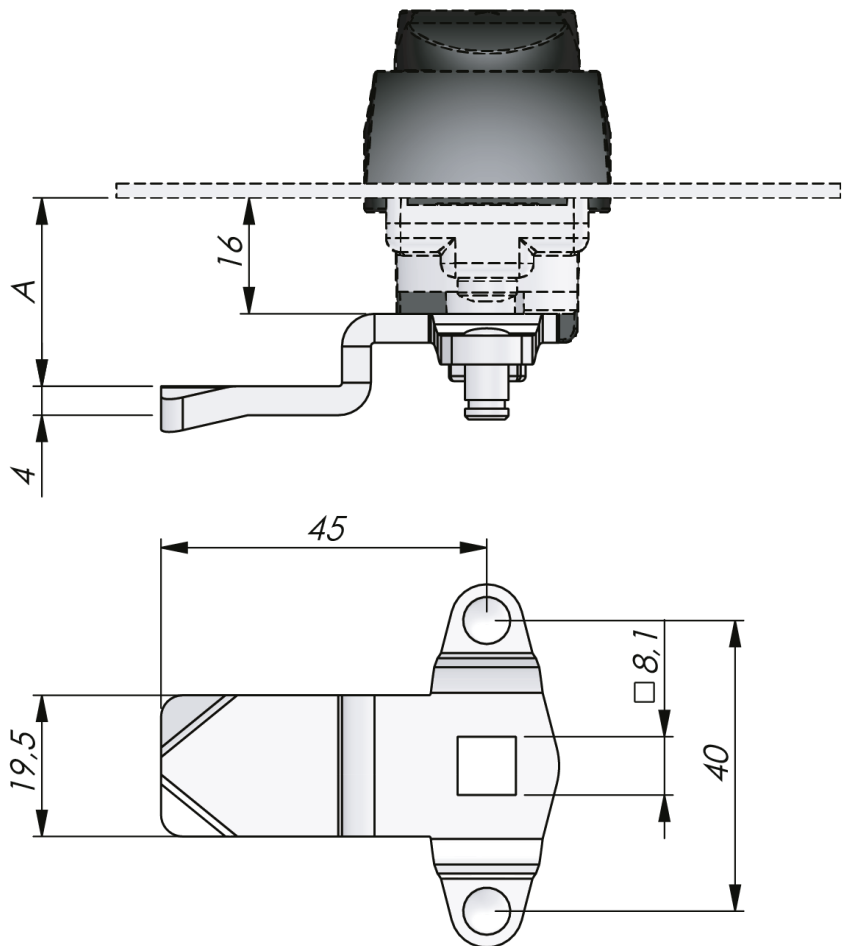
Other materials: 1-008.50

Use the Index Code at industrilas.com

TESTS & STANDARDS

Other cam sizes and cam versions are available on request.

Please note that all cams with dimension A is less than 16 mm can only be used in combination with swing handles (see product ID 1-010 and 1-020).



Artikelnummer	Beskrivning	Material	A
2321S01PU	3-point cam	Stål	2
2321S02PU	3-point cam	Stål	4
2321S03PU	3-point cam	Stål	6
2321S04PU	3-point cam	Stål	8
2321S05PU	3-point cam	Stål	10
2321S07PU	3-point cam	Stål	12
2321S08PU	3-point cam	Stål	14
2321S09PU	3-point cam *	Stål	16
2321S10PU	3-point cam	Stål	18
2321S11PU	3-point cam	Stål	20
2321S12PU	3-point cam	Stål	22
2321S14PU	3-point cam	Stål	24
2321S15PU	3-point cam	Stål	26
2321S16PU	3-point cam	Stål	28
2321S17PU	3-point cam	Stål	30
2321S18PU	3-point cam	Stål	32
2321S20PU	3-point cam	Stål	34
2321S21PU	3-point cam	Stål	36
2321S22PU	3-point cam	Stål	38
2321S23PU	3-point cam	Stål	40
2321S24PU	3-point cam	Stål	42
2321S27PU	3-point cam	Stål	48
2321S28PU	3-point cam	Stål	46
2321S29PU	3-point cam	Stål	44

* Art.nr 2321S09PU är med rak regel.