

# ROD GUIDES FOR FLAT RODS



Rod guides are available in two versions: zinc and molded Polyamide.

The zinc rod guide is placed around the flat rod attached to the door using screw, welding stud, rivet or likewise. The item is supplied in two halves per ordered rod guide.

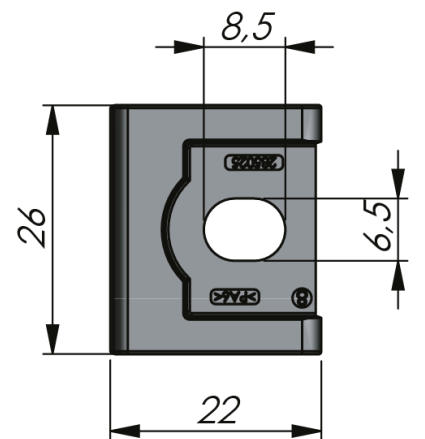
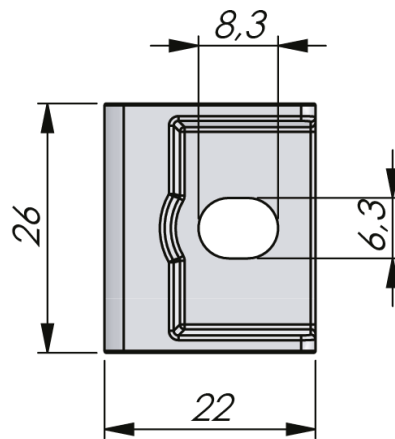
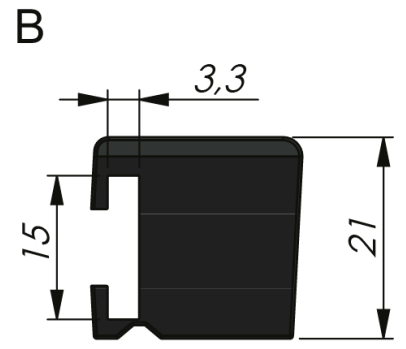
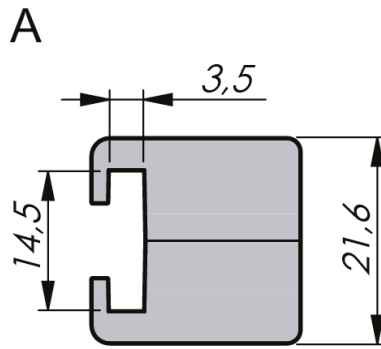
The molded polyamide rod guide is folded around the flat rod. The rod guide is then mounted on the door with the slit facing down, which secures the rod in the rod guide. Use screw, welding stud, rivet or similar to attach the rod guide to the door.

**MATERIAL**

**Rod guide:** Zinc die cast, zinc plated or glass fibre reinforced polyamide (PA6GF30)

**RELATED PRODUCTS**

**Latching units:** 1-008.21, 1-008.25  
Use the Index Code at [industrilas.com](http://industrilas.com)



P/N	Description	Material	Drawing
281125	Rod guide in two parts	Zinc die cast, zinc plated	A
281425	Rod guide in two parts	Zinc with surface treatment "Highlander"	A
285025	Rod guide in one part	Glass fibre reinforced polyamide (PA6GF30)	B