

## PROFILE CYLINDERS



Profile cylinder 40 mm in brass with 360° rotation. The cylinders are manufactured according to DIN 18252 and have five pins. It is supplied with three keys and fixing screw and the cam can be positioned 8x45°.

The solid plug is used for plugging a hole shaped like a profile cylinder and it is supplied with a screw for fixing it into the cylinder hole of a handle when no profile cylinder is required. The plug is spring loaded to obtain push-to-latch function.

### MATERIAL

**Cam:** Hardened steel

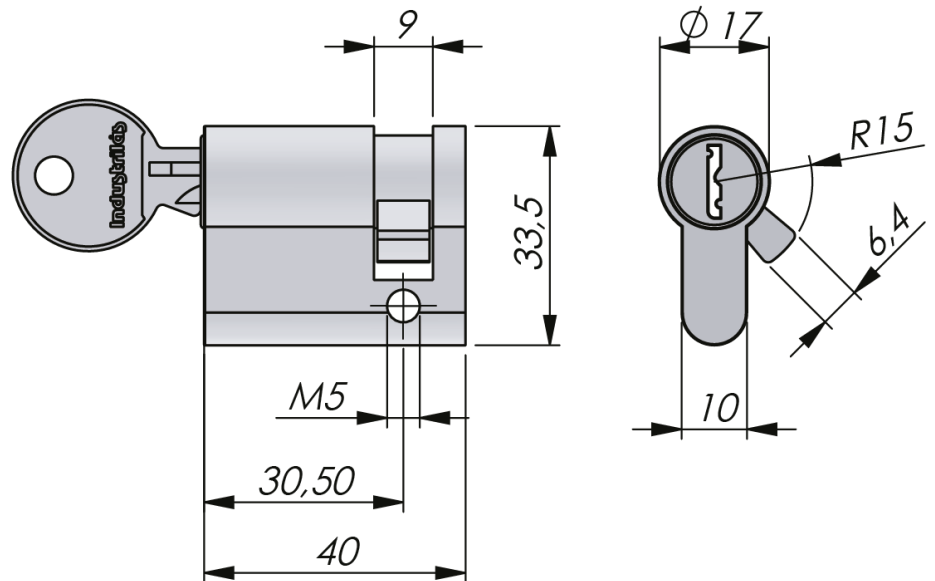
**Cylinder:** Brass, nickel plated in matt finish

**Solid plug:** Fibre glass reinforced polyamide (PA6GF30)

### RELATED PRODUCTS

**Similar products:** 1-211

Use the Index Code at [industrilas.com](http://industrilas.com)



P/N	Description	Cylinder
511054-1001	Profile cylinder, keyed alike LL 34512.	Keyed alike 34512
511059-1001	Profile cylinder, keyed to differ	Keyed to differ
511066-1000	Solid plug, black.	Solid plug, black

**Industrilas**  
— When access counts —