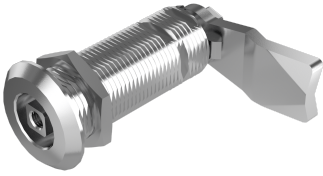


## QUARTER-TURN CLASSIC 56 MM



The quarter-turn latch consists of your choice of housing, nut, insert, washer, screw and cam. A longer housing can be used for insulated doors, where the 45,5 mm housing can be mounted with a spring clip for door thicknesses of 29, 32 or 39 mm and the 56,5 mm housing is for 40, 43 and 50 mm.

IP65 protection is achieved with an O-ring on the insert and a flat gasket on the housing.

The latch is delivered un-assembled, pre-assembled with enclosed cam or fully assembled. The spring clip option is ordered separately.



### MATERIAL

**Earthing nut:** Zinc die cast, zinc plated

**Housing:** Zinc die cast, chrome plated or black texture powder coated

**Cam:** Steel, zinc plated

**Insert:** Zinc die cast, chrome plated or black texture powder coated

**Standard nut:** Zinc die cast, zinc plated

**Washer, spring clip and screw:** Steel, zinc plated

### RELATED PRODUCTS

**Other materials:** 6-120

**Handles and knobs:** 2-360

**Keys:** 2-372, 2-370

**Accessories:** 2-410, 271105

**Cams:** 2-490, 2-510, 2-520, 2-480

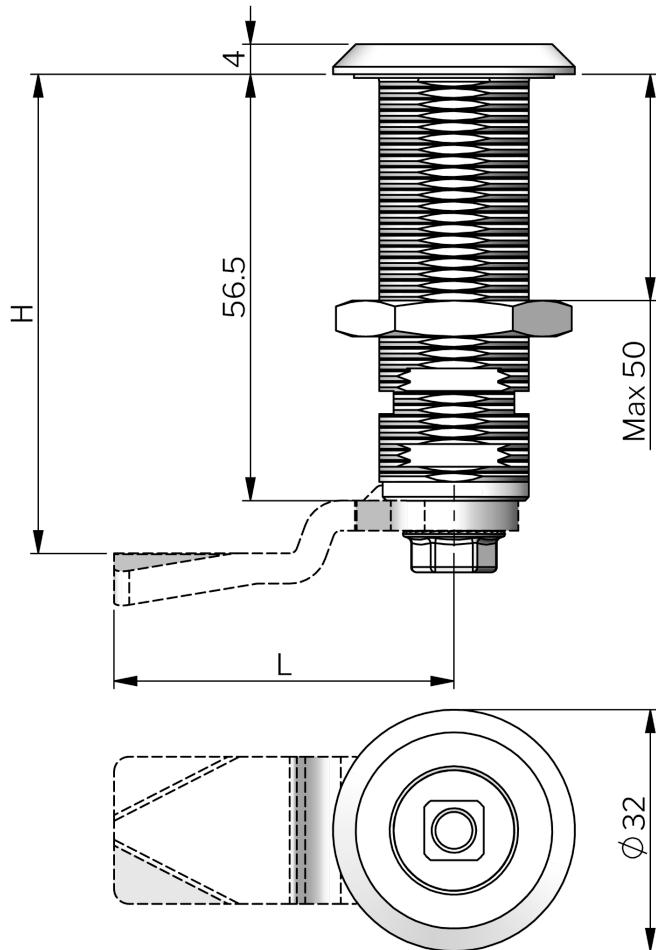
**Similar products:** 2-060

Use the Index Code at [industrilas.com](http://industrilas.com)

### TECHNICAL INFORMATION

**Standards:** IP65

**Cutout:** COMBI



**Industrilas**  
— When access counts —

**Make your selections in each column to create your article number (AAAA-BCCDEF-HLL)**

AAAA Housing		B Nut	CC Insert	D Surface - insert	E Assembly	F Cam	HLL H/L in mm
2122	Zinc, chrome plated	0 SN	05 Square 8	2 Chrome	0 IP54 - not assembled	0 Steel	0000 No cam
		1 EN	08 Square 8 / M6	6 Black			4245 42 / 45
2126	Zinc, black coated		15 Triangle 8		1 IP65 - not assembled		4445 44 / 45
			22 Double Bit 3		2 IP54 - enclosed cam		4645 46 / 45
			26 Slotted		3 IP65 - enclosed cam		4845 48 / 45
			28 Slotted with arrow		4 IP54 - assembled		5045 50 / 45
					5 IP65 - assembled		5245 52 / 45
							5445 54 / 45
							5645 56 / 45
							5845 58 / 45
							6045 60 / 45
							6245 62 / 45
		6445 64 / 45					
		6645 66 / 45					
		6845 68 / 45					
		7045 70 / 45					
		7245 72 / 45					
		7445 74 / 45					
		7645 76 / 45					
		7845 78 / 45					
		8045 80 / 45					
		8245 82 / 45					
		8445 84 / 45					
		8645 86 / 45					
		8845 88 / 45					

SN = Standard nut. EN = Earthing nut.

Other inserts on request.

