



KLIMA-FLEX ADJUSTABLE LIFT OFF HINGE 180°

This lift off hinge is designed for use on insulated doors, in combination with Klima-flex Latch Hinge Gen 2. It allows universal right and left mounting, with 180° opening angle. When the door is in the open position, the smart quick-release function allows you to easily remove the door and door attachment without using any tool.

The hinge is mounted on the surface of frame and door with rivets or screws.

The frame part can upon request be supplied with other offsets between 0-25 mm.



MATERIAL

Bushing: Brass, black zinc plated

Door part: Glass fibre reinforced polyamide (PA6GF30)

Frame part: Zinc die cast, black texture powder coated

Pin: Stainless steel 303

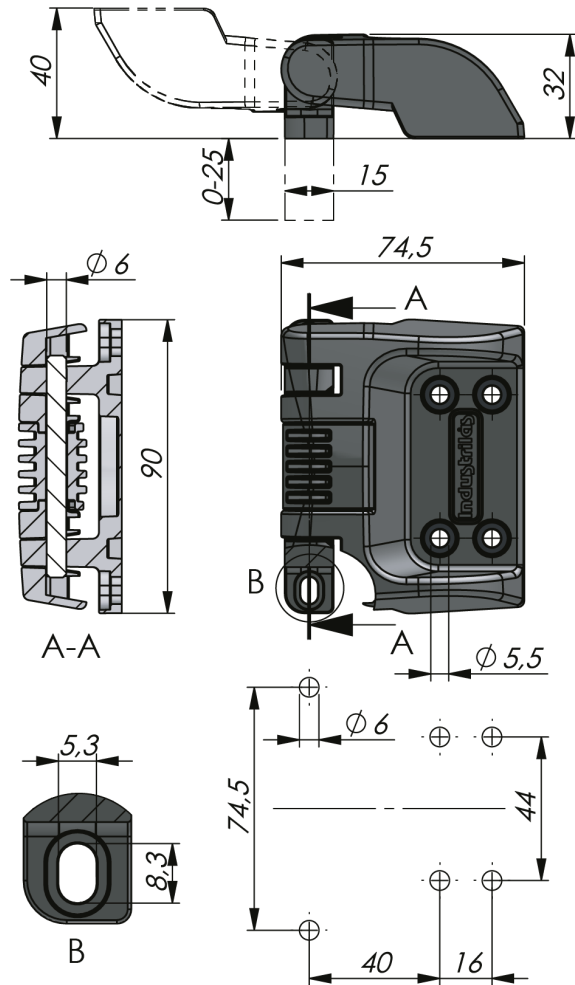
RELATED PRODUCTS

Latching hinges: 2-317ef

Use the Index Code at industrilas.com

TECHNICAL INFORMATION

The frame part is the same as for the Compression Latching Hinge on Index Code 3-155ab. This makes it possible whenever needed to switch from a left hinged door to a right hinged door, and vice versa, when this hinge is used in combination with the Compression Latching Hinge on Index Code 3-155ab. With this setup the door can also be removed completely.



P/N	Description	Offset
2651-510050	Hinge for insulated doors	0 mm
2651-511050	Hinge for insulated doors	10 mm

