

KLIMA-FLEX EXTENDED ADJUSTABLE 2D-HINGE 180°

Surface mounted hinge, especially designed for insulated doors. The hinge comes with a mounting plate for thin door skins. Lift-off feature when lower hinge part is removed. Adjustable 3 mm vertically and horizontally.

This version has an extended door part compared to 321151 and 321651 (3-160).



MATERIAL

Door part: Zinc die cast, zinc plated or black texture powder coated

Frame part: Zinc die cast, zinc plated or black texture powder coated

Screw: Steel, zinc plated

Mounting plate: Zinc die cast, zinc plated

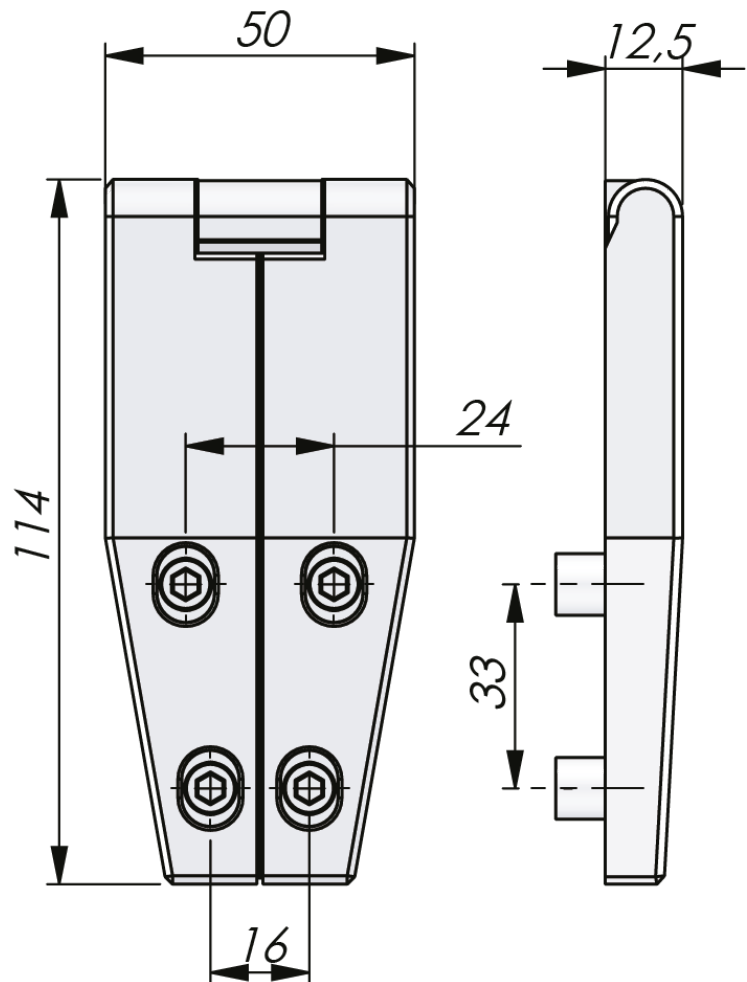
Pin: Steel, zinc plated

Washer: Brass, nickel plated

RELATED PRODUCTS

Similar products: 3-160

Use the Index Code at industrilas.com



P/N	Surface treatment
321185	Zinc plated
321685	Black

Industrilas
— When access counts —