

# EXTERNAL LIFT OFF HINGE 180°

Profile hinge for external mounting on surface mounted doors with universal left and right mounting. Opening angle 180°. Screw-on or weld-on mounting options.



### MATERIAL

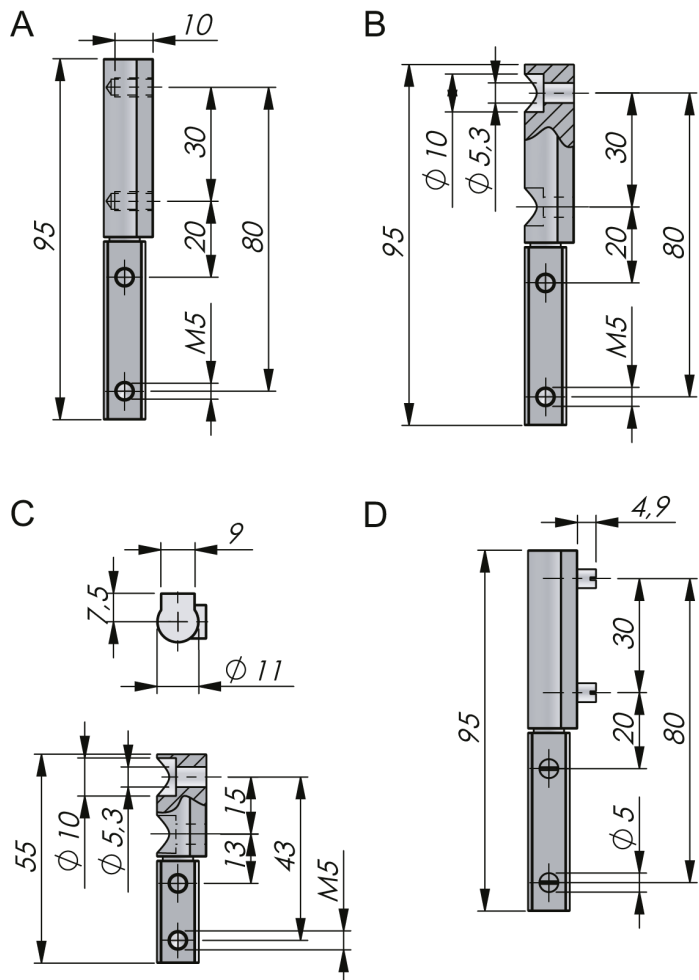
**Cover:** Stainless steel 304  
**Hinge:** Steel, zinc plated  
**Pin:** Steel, zinc plated  
**Screw:** Steel, zinc plated  
**Washer:** Brass, zinc plated

### RELATED PRODUCTS

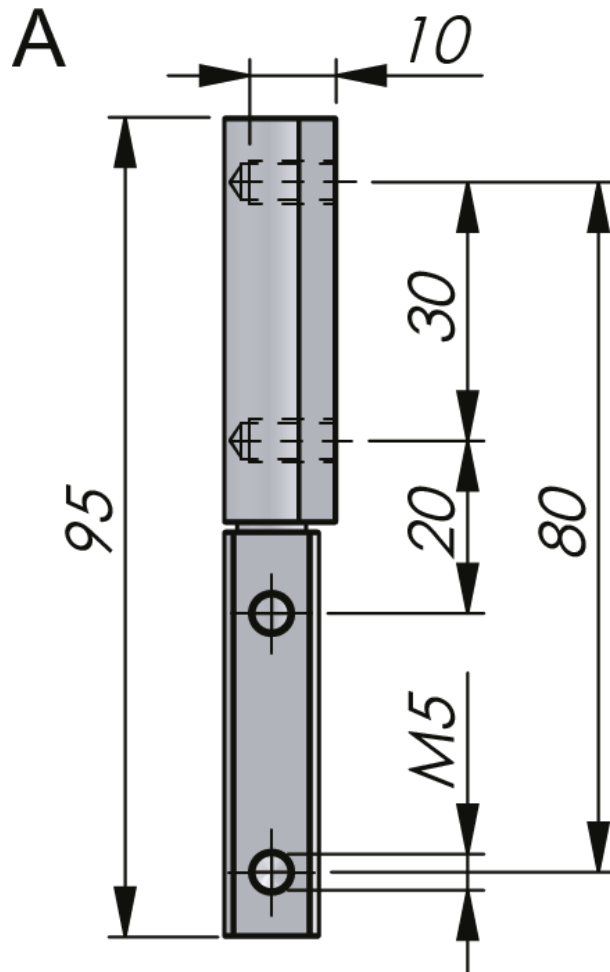
**Other materials:** 6-450  
 Use the Index Code at [industrilas.com](http://industrilas.com)

### TECHNICAL INFORMATION

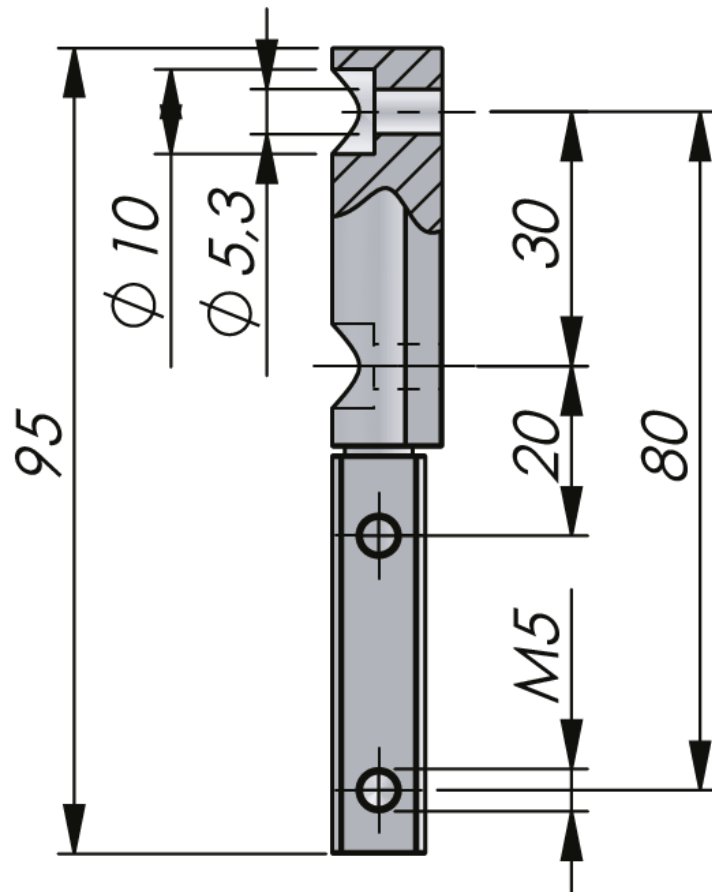
Screw-on version is supplied with screws, screw covers and washers. Weld-on version equipped with studs to simplify positioning. The combination of weld-on and screw-on mounting may be supplied on request.

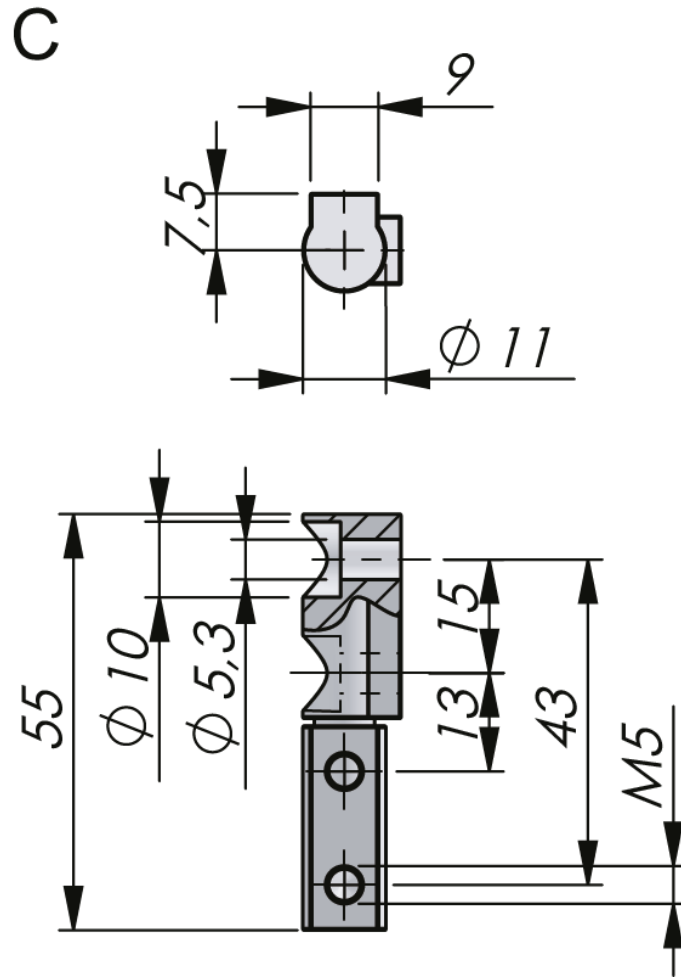


P/N	Mounting	Height	Drawing
322121	Screw-on	95 mm	A
322122	Weld-on	95 mm	D
322123	Screw-on	95 mm	B
322124	Screw-on	55 mm	C



**B**





D

