

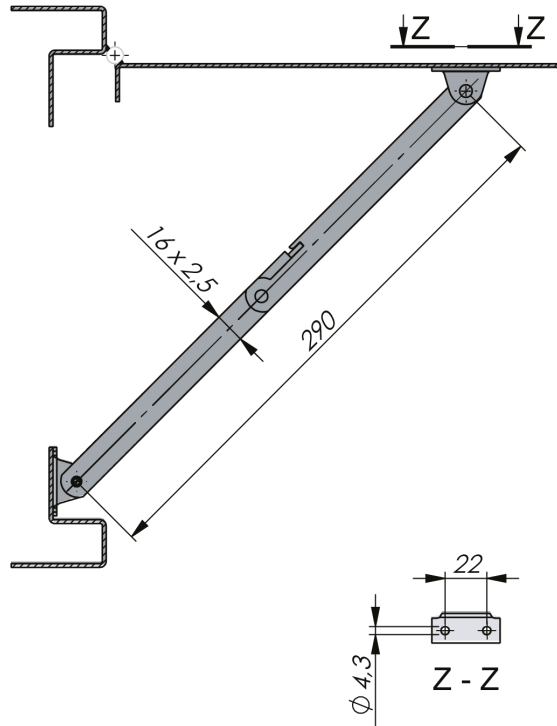
# HATCH SUPPORT

Cover stay in left or right version. Screw-on or weld-on mounting. Supplied with mounting brackets. Other lengths can be supplied on request.



**MATERIAL**

Cover stay: Steel, nickel plated



P/N	Description
552802	Right version
552803	Left version