

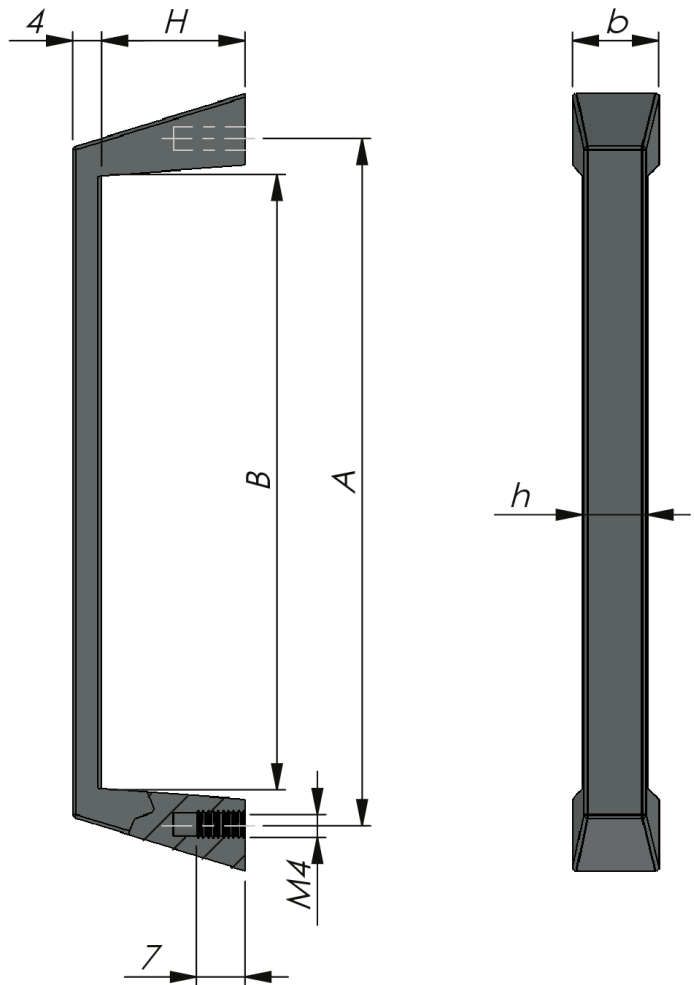
GRAB HANDLE

Grab handle for screw mounting from the inside. Supplied without M4 mounting screws.



MATERIAL

Handle: Zinc die cast, chrome plated or black coated



P/N	Surface treatment	A	B	b	H	h
571301	Chrome	95,5	85,0	12,0	20,0	8,5
571302	Chrome	81,0	72,0	11,0	18,0	8,0
571501	Black	95,5	85,0	12,0	20,0	8,5
571502	Black	81,0	72,0	11,0	18,0	8,0

Supplied without M4 mounting screws.