

GRAB HANDLE



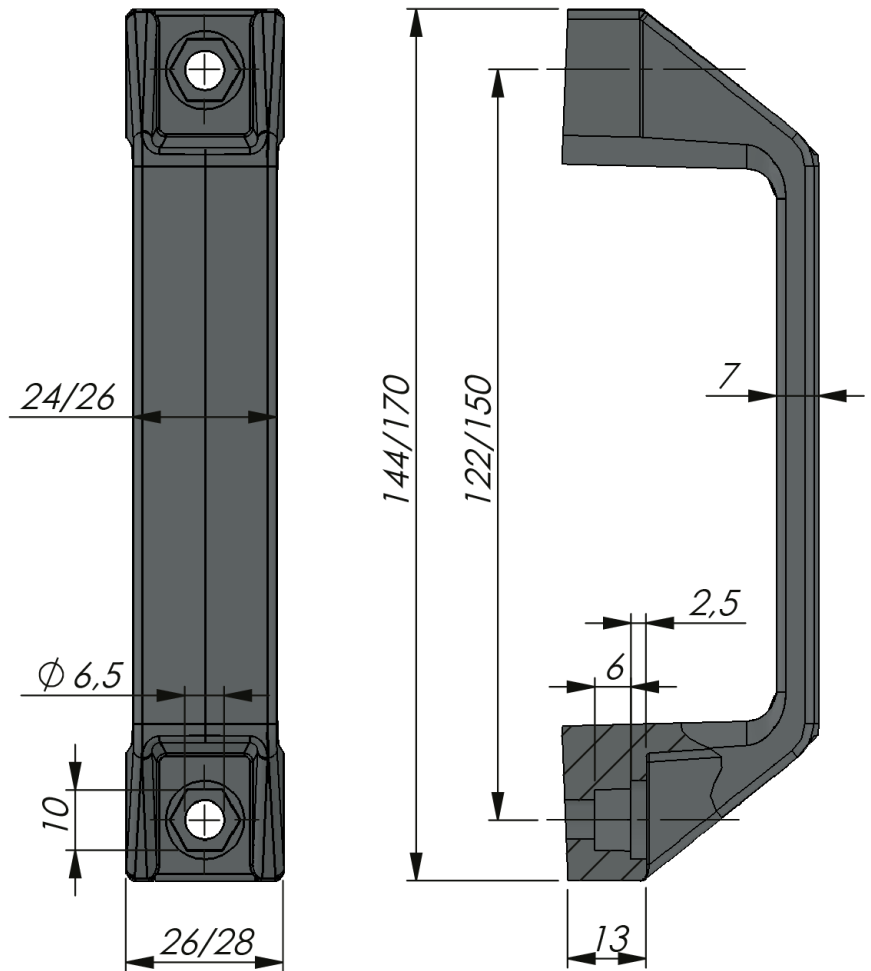
Grab handle to be mounted from the outside by using screws, or mounted from the inside by using screws and hexagon nuts in the recessed holes in the handle.

MATERIAL

Handle: Glass fibre reinforced polyamide (PA6GF30)

TECHNICAL INFORMATION

Supplied without screws and nuts. Cover plugs to be ordered separately. Other colours on request.



P/N	Description	C/C
575033	Grab handle	122 mm
575033-01	Cover plug (black) for P/N 575033	-
575035	Grab handle	150 mm