

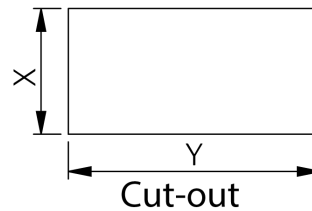
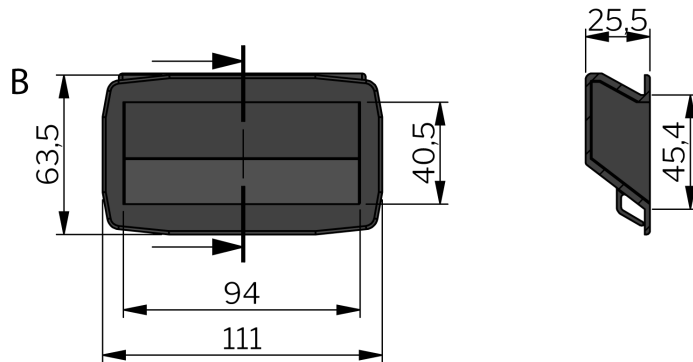
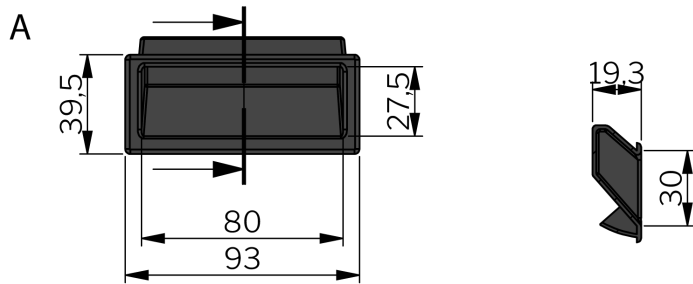
# FLUSH GRAB HANDLE

Grab handles for clip-in mounting.



**MATERIAL**

**Handle:** Glass fibre reinforced polyamide (PA6GF30)



P/N	Description	Door thickness	X	Y	Drawing
575004	Flush grab handle - rectangular	0,8 - 1,6 mm	36 mm	85 mm	A
575005-01	Flush grab handle - rounded	0,8 - 1,2 mm	50 mm	100 mm	B
575005-02	Flush grab handle - rounded	1,2 - 1,6 mm	50 mm	100 mm	B

Other colors upon request.