

## COMPRESSION LATCH 21,5 MM



Compression latch with 6 mm compression of profiles. When closing, the first 90° turn of the key moves the cam 90° to the closed position. Tighten the compression by turning an additional four revolutions with the key. To decompress, turn the key four revolutions in the opposite direction.

The latch is supplied fully assembled.

Measurements for the H-dimension in the table below describes the cam in the compressed position.

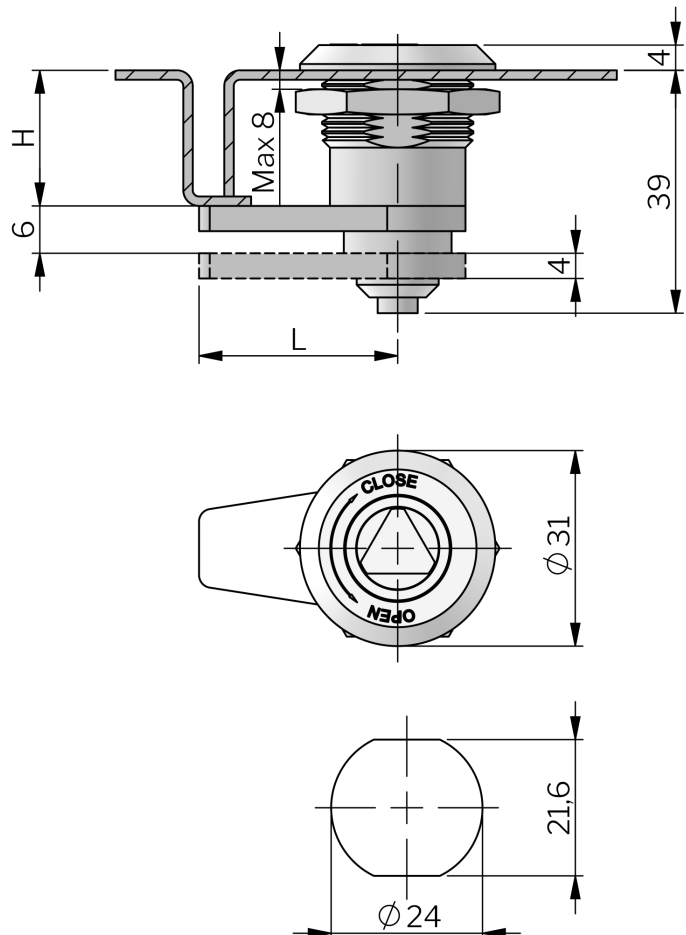


### MATERIAL

**Cam:** Stainless steel 304  
**Housing:** Zinc die cast, zinc plated  
**Insert:** Brass, nickel plated  
**Nut:** Brass, zinc plated  
**Spring:** Stainless steel 304

### RELATED PRODUCTS

**Keys:** 2-372, 2-370  
 Use the Index Code at [industrilas.com](http://industrilas.com)



P/N	Insert	Cam dimension (H/L in mm)
241755-01	Triangle 10	18,0 / 30
241755-02	Triangle 10	21.5 / 31.5 *
241755-03	Triangle 10	27,0 / 30
241755-04	Triangle 10	20,0 / 45
241755-05	Triangle 10	21.5 / 45 *
241756-01	Triangle 10 / SEN	18,0 / 30
241756-02	Triangle 10 / SEN	21.5 / 31.5 *
241756-03	Triangle 10 / SEN	27,0 / 30
241756-04	Triangle 10 / SEN	20,0 / 45
241756-05	Triangle 10 / SEN	21.5 / 45 *
241757-01	Double Bit 3	18,0 / 30
241757-02	Double Bit 3	21.5 / 31.5 *
241757-03	Double Bit 3	27,0 / 30
241757-04	Double Bit 3	20,0 / 45
241757-05	Double Bit 3	21.5 / 45 *
241758-01	Square 8	18,0 / 30
241758-02	Square 8	21.5 / 31.5 *
241758-03	Square 8	27,0 / 30
241758-04	Square 8	20,0 / 45
241758-05	Square 8	21.5 / 45 *
241759-01	Square 7	18,0 / 30
241759-02	Square 7	21.5 / 31.5 *
241759-03	Square 7	27,0 / 30
241759-04	Square 7	20,0 / 45
241759-05	Square 7	21.5 / 45 *
241760-01	Triangle 7	18,0 / 30
241760-02	Triangle 7	21.5 / 31.5 *
241760-03	Triangle 7	27,0 / 30
241760-04	Triangle 7	20,0 / 45
241760-05	Triangle 7	21.5 / 45 *
241761-01	Triangle 8	18,0 / 30
241761-02	Triangle 8	21.5 / 31.5 *
241761-03	Triangle 8	27,0 / 30
241761-04	Triangle 8	20,0 / 45
241761-05	Triangle 8	21.5 / 45 *
241762-01	Double Bit 5	18,0 / 30
241762-02	Double Bit 5	21.5 / 31.5 *
241762-03	Double Bit 5	27,0 / 30
241762-04	Double Bit 5	20,0 / 45
241762-05	Double Bit 5	21.5 / 45 *
241763-01	Slotted	18,0 / 30
241763-02	Slotted	21.5 / 31.5 *
241763-03	Slotted	27,0 / 30

P/N	Insert	Cam dimension (H/L in mm)
241766-01	Recessed hexagon 8	18,0 / 30
241766-02	Recessed hexagon 8	21,5 / 31,5 *
241766-03	Recessed hexagon 8	27,0 / 30
241766-04	Recessed hexagon 8	20,0 / 45
241766-05	Recessed hexagon 8	21,5 / 45 *

\* Straight cam