

# KLIMA-FLEX BRIDGE CLAMP WITH WING KNOB



Bridge clamp for closing doors and panels. Available in two versions: with M8- or M6-threaded wing knob (see table below).



## MATERIAL

**Bridge clamp:** Glass fibre reinforced polyamide (PA6GF30)

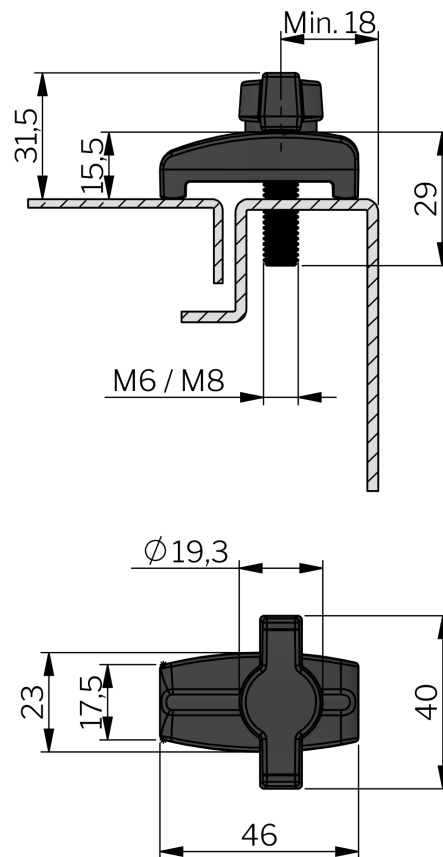
**Cast-in bolts:** Steel, zinc plated or stainless steel 304

**Knob:** Glass fibre reinforced polyamide (PA6GF30)

## RELATED PRODUCTS

**Similar products:** 5-214, 5-215

Use the Index Code at [industrilas.com](http://industrilas.com)



P/N	Description	Material
593000-8	Bridge clamp with M8 screw	Stainless steel 304
595000-6	Bridge clamp with M6 screw	Steel
595000-8	Bridge clamp with M8 screw	Steel