

# COMPRESSION LATCH 35 MM



Compression latch that closes and tightens with a single continuous half-turn motion. First 90° turn moves the cam 90°, the second 90° turn retracts the cam 6 mm. The latch is supplied assembled and cam is ordered separately. Protection degree IP65, also classed as waterproof according to NEMA 4.



## MATERIAL

**Cam:** Steel, zinc plated

**Housing:** Zinc die cast, chrome plated or black coated

**Insert:** Zinc die cast, chrome plated or black coated

**Nut:** Zinc die cast, zinc plated

## RELATED PRODUCTS

**Other materials:** 6-135

**Handles and knobs:** 2-360

**Keys:** 2-372, 2-370

**Needed components for a complete system:**

2-411-01, 2-411-02

Use the Index Code at [industrilas.com](http://industrilas.com)

## TECHNICAL INFORMATION

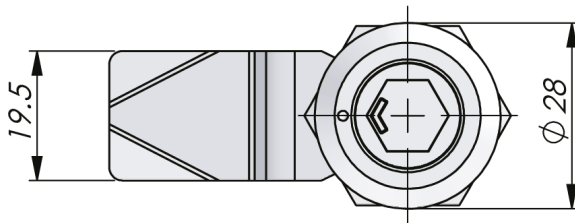
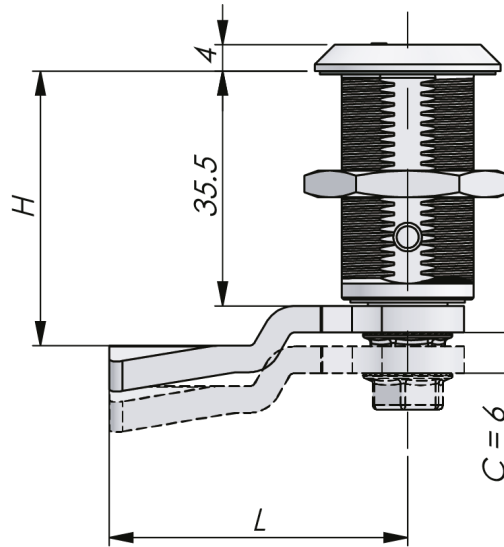
Other inserts on request.

Latch is supplied with screw with mechanical thread lock.

Handles and knobs for inserts Square 8 / M6 and Triangle 10 / M6 see Index Code 2-360.

**Standards:** IP65, NEMA 4, DIN EN 61373

**Cutout:** COMBI



**Industrilas**  
— When access counts —

**Make your selections in each column to create your article number (AAAAAA-BB-HHLL)**

AAAAAA	Housing	BB	Insert	HHLL	H/L in mm
241387	Chrome	01	Hexagon 11	0000	No cam
241587	Black	09	Square 8 with arrow	2145	21 / 45
		11	Square 8 / M6	2345	23 / 45
		12	Triangle 7	2545	25 / 45
		13	Triangle 8	2745	27 / 45
		14	Triangle 10	2945	29 / 45
		16	Double Bit 3	3145	31 / 45
		17	Double Bit 5	3345	33 / 45
		18	DB - Deutsche Bahn. On request.	3545	35 / 45
		20	Slotted	3745	37 / 45
		21	Recessed hexagon 10	3945	39 / 45
		22	Recessed hexagon 8	4145	41 / 45
		28	Triangle 10 / M5	4345	43 / 45
		47	Recessed hexagon 8 / 3 mm pin	4545	45 / 45
		48	Recessed square 8	4745	47 / 45
		56	Tubular asymmetric	4945	49 / 45
		79	Triangle 6,5	5145	51 / 45
				5345	53 / 45
				5545	55 / 45
				5745	57 / 45
				5945	59 / 45
				6145	61 / 45
				6345	63 / 45
				6545	65 / 45
				6745	67 / 45

\* Straight cam.

