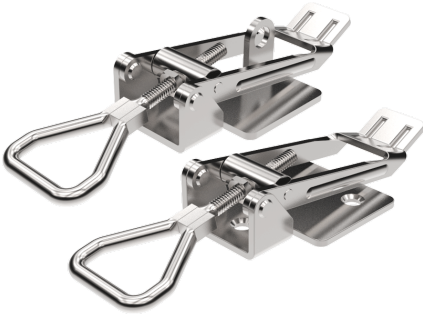


ADJUSTABLE PULL-DOWN CATCH AND STRIKER



Adjustable catch with M8-thread. Type A is non-locking and type B is equipped with a padlock eyelet. Suitable strikers F and G ordered separately.



MATERIAL

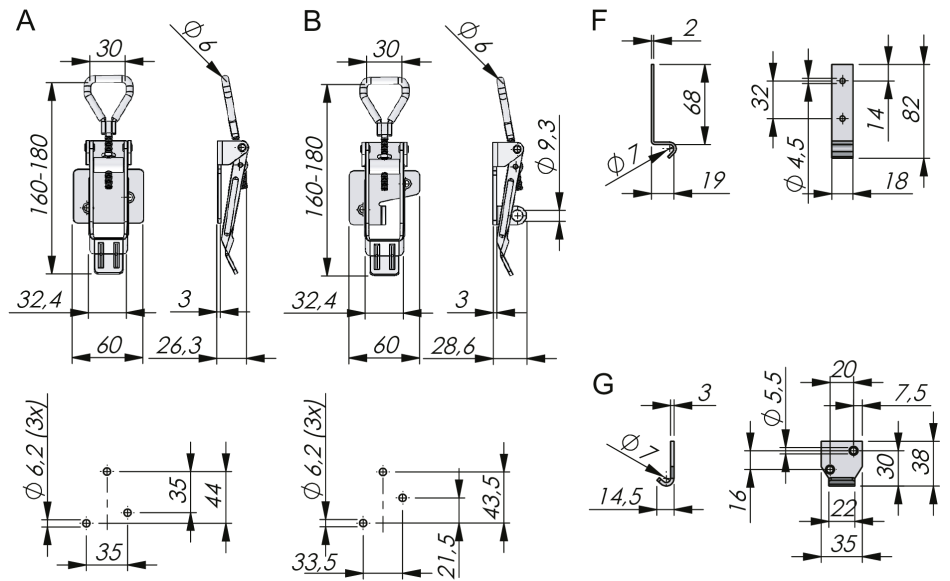
Pull down catch: Steel, zinc plated or unplated

Striker: Steel, zinc plated or unplated

RELATED PRODUCTS

Other materials: 6-730

Use the Index Code at industrilas.com



P/N	Description	Material	Surface treatment	Type	Hole pattern
580112	Striker	Steel	Zinc plated	F	2 x Ø 4,5
580141	Striker	Steel	Unplated	G	-
580142	Striker	Steel	Zinc plated	G	2 x Ø 5,5
581062	Adjustable Pull-Down Catch	Steel	Zinc plated	A	3 x Ø 7,0
581071	Adjustable Pull-Down Catch (padlockable)	Steel	Unplated	B	-
581072	Adjustable Pull-Down Catch (padlockable)	Steel	Zinc plated	B	3 x Ø 7,0