

PULL-DOWN CATCH AND STRIKER



This catch comes in type A: with a folded spring-action and catch in hardened steel, and type B and C: with a straight catch in steel and a hole for a $\varnothing 3$ mm locking pin. Suitable strikers F and G ordered separately.

MATERIAL

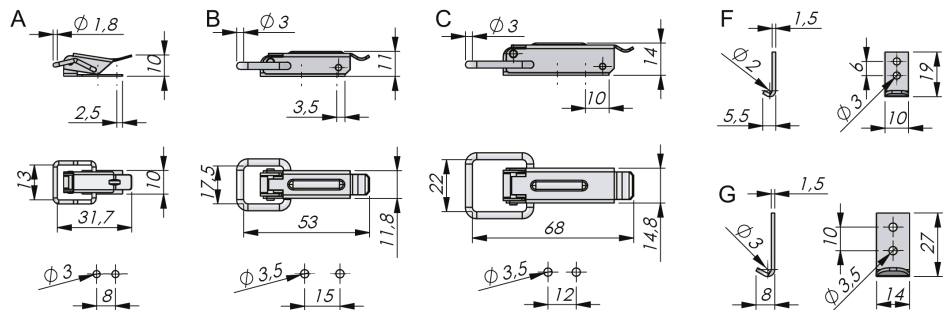
Pull down catch: Steel, zinc plated

Striker: Steel, zinc plated

RELATED PRODUCTS

Other materials: 6-740

Use the Index Code at industrilas.com



P/N	Description	Material	Surface treatment	Type	Hole pattern
580302	Striker	Steel	Zinc plated	F	2 x Ø 3,0
580312	Striker	Steel	Zinc plated	G	2 x Ø 3,5
581192	Pull-Down Catch	Steel	Zinc plated	A	2 x Ø 3,0
581202	Pull-Down Catch	Steel	Zinc plated	B	2 x Ø 3,5
581212	Pull-Down Catch	Steel	Zinc plated	C	2 x Ø 3,5