

QUARTER-TURN LATCH STAINLESS STEEL 18 MM



This complete latch consists of housing, nut, insert, washer, screw and cam. To achieve protection degree IP66, an O-ring and pour-in-place foamed polyurethane gasket is applied. The latch can be supplied un-assembled, pre-assembled with enclosed cam or completely assembled. Waterproof according to NEMA 4.



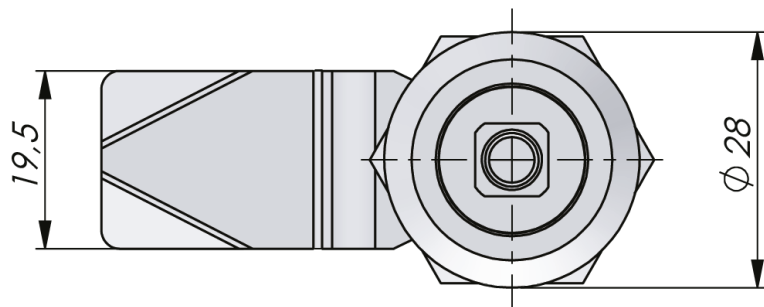
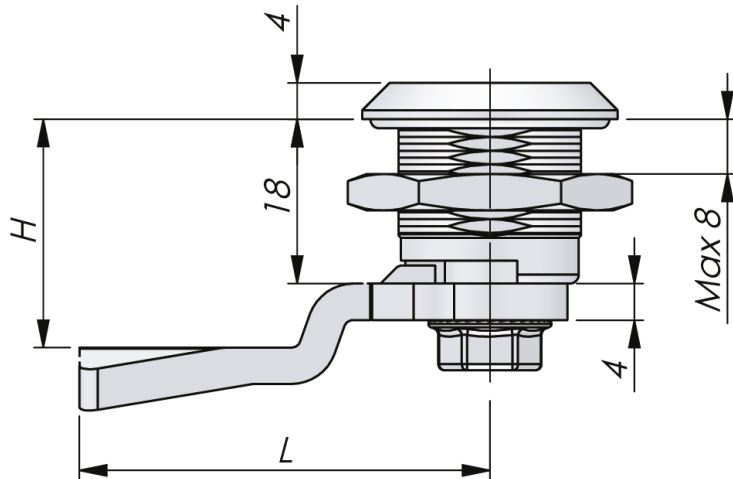
MATERIAL

Cam: Stainless steel 304 or 316
Housing: Stainless steel 303 or 316
Insert: Stainless steel 303 or 316
Nut: Stainless steel 303 or 316

TECHNICAL INFORMATION

* = also classed "Waterproof according to NEMA 4"

Standards: IP66, NEMA 4
Cutout: COMBI



Industralas
 — When access counts —

Make your selections in each column to create your article number (AAAA-BCCDEF-HLL)

AAAA Housing		B Nut	CC Insert	D Material insert and housing	E Assembly	F Cam	HHLL H/L in mm
2313	Stainless steel 303	3 SS 303	01 Square 6	3 SS 303	0 IP54 - not assembled	3 SS 304	0000 No cam
			03 Square 7	9 SS 316			0445 4 / 45
2319	Stainless steel 316	9 SS 316	05 Square 8		1 IP66 - not assembled	9 SS 316	0645 6 / 45
			07 Square 8 / slotted				0845 8 / 45
			08 Square 8 / M6				1045 10 / 45
			11 Square 8 / recessed				1245 12 / 45
			14 Triangle 7				1445 14 / 45
			15 Triangle 8				1645 16 / 45
			16 Triangle 10				1845 18 / 45
			22 Double Bit 3				2045 20 / 45
			24 Double Bit 5				2245 22 / 45
			26 Slotted				2445 24 / 45
			41 Slotted recessed				2645 26 / 45
							2845 28 / 45
							3045 30 / 45
							3245 32 / 45
							3445 34 / 45
		3645 36 / 45					
		3845 38 / 45					
		4045 40 / 45					
		4245 42 / 45					
		4445 44 / 45					
		4645 46 / 45					
		4845 48 / 45					
		5045 50 / 45					



