

# QUARTER-TURN VIBRATION RESISTANT STAINLESS STEEL 18 MM

This vibration resistant quarter-turn latch consists of acid-proof AISI 316 components. You design the latch to accommodate your needs by combining your choices of housing, nut, insert, washer, screw and cam. The latch can be delivered un-assembled, pre-assembled with enclosed cam or fully assembled.

Protection degree IP66 is achieved by using an O-ring on the insert and a PUR-gasket on the housing.



IP66



## MATERIAL

**Cam:** Stainless steel 304 or 316

**Housing:** Stainless steel 316

**Insert:** Stainless steel 316

**Nut:** Stainless steel 303 or 316

**Screw:** Stainless steel 304

**Washer:** Stainless steel 304

## RELATED PRODUCTS

**Similar products:** 6-134a

**Other materials:** 2-020

**Handles and knobs:** 2-360

**Keys:** 2-372, 2-380, 2-370

**Cams:** 2-510, 2-520, 2-481, 2-491

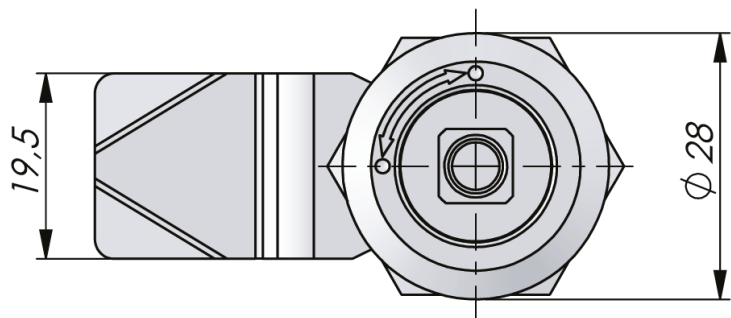
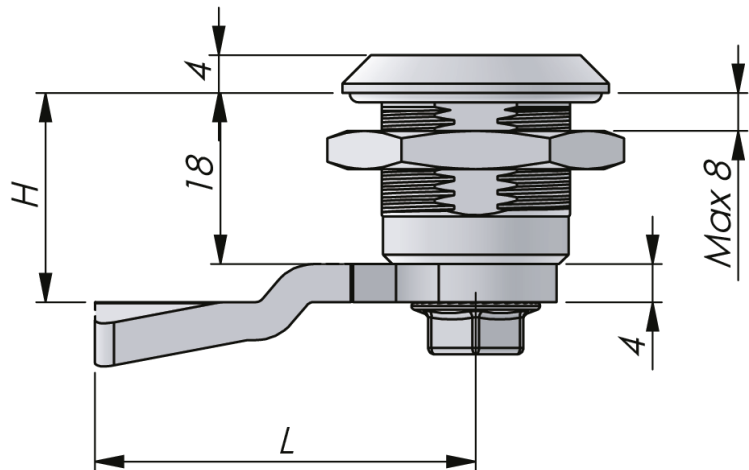
Use the Index Code at [industrilas.com](http://industrilas.com)

## TECHNICAL INFORMATION

Latch is supplied with screw with mechanical thread lock.

**Cutout:** COMBI

**Standards:** IP66, NEMA 4, DIN EN 61373



**Industrilas**  
— When access counts —

**Make your selections in each column to create your article number (AAAA-BCCDEF-HLL)**

AAAA Housing	B Nut	CC Insert	D Material insert and housing	E Assembly	F Cam	HHLL H/L in mm
2419 Stainless steel 316	3 SS 303	01 Square 6	9 SS 316	6 IP66 PUR - not assembled	3 SS 304	0000 No cam
		03 Square 7				0445 4 / 45
		05 Square 8		7 IP66 PUR - enclosed cam		9 SS 316
	08 Square 8 / M6	0845 8 / 45				
	13 Triangle 6,5	8 IP66 PUR - assembled		1045 10 / 45		
	14 Triangle 7			1245 12 / 45		
	15 Triangle 8			1445 14 / 45		
	16 Triangle 10			1645 16 / 45		
	17 Triangle 10 / M5			1845 18 / 45		
	22 Double Bit 3			2045 20 / 45		
	24 Double Bit 5			2245 22 / 45		
	26 Slotted			2445 24 / 45		
		2645 26 / 45				
		2845 28 / 45				
		3045 30 / 45				
	3245 32 / 45					
	3445 34 / 45					
	3645 36 / 45					
	3845 38 / 45					
	4045 40 / 45					
	4245 42 / 45					
	4445 44 / 45					
	4645 46 / 45					
	4845 48 / 45					
	5045 50 / 45					

