



COMPRESSION LATCH 35 MM

Compression latch that closes and tightens with a single continuous half-turn motion. The first 90° turn moves the cam 90°, the second 90° turn retracts the cam 6 mm. This compression is shown as C in the drawing.

The extended, threaded shaft allows you to place the cam along its entire length, resulting in a long distance for adjusting (a total of 20 mm). Fix the cam with counter-nuts. The latch is supplied assembled and cam is ordered separately.

Protection degree IP65 is also classed "waterproof according to NEMA 4".



MATERIAL

Counter-nuts: Steel, zinc plated

Extended shaft: Steel, zinc plated

Housing: Zinc die cast, chrome plated or black coated

Insert: Zinc die cast, chrome plated or black coated

Nut: Zinc die cast, zinc plated

RELATED PRODUCTS

Other materials: 6-136

Handles and knobs: 2-360

Keys: 2-372, 2-370

Cams: 2-481

Needed components for a complete system:

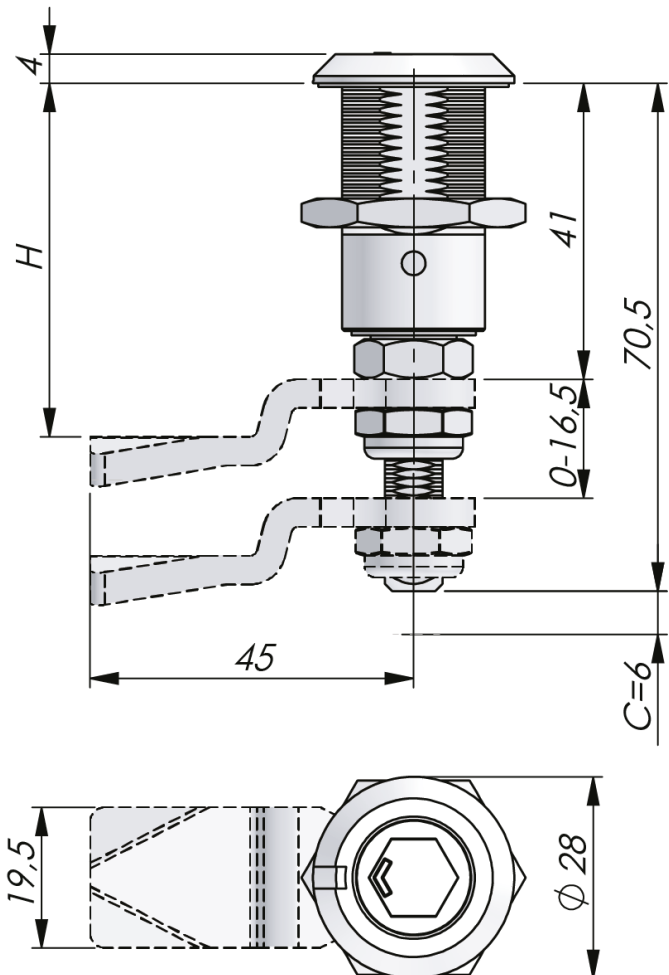
2-411-01, 2-411-02

Use the Index Code at industrilas.com

TECHNICAL INFORMATION

Standards: IP65, NEMA 4, DIN EN 61373

Cutout: COMBI



Industrilas
— When access counts —

P/N	Surface treatment	Insert
241389-01	Chrome plated	Hexagon 11
241389-09	Chrome plated	Square 8
241389-11	Chrome plated	Square 8 / M6
241389-12	Chrome plated	Triangle 7
241389-13	Chrome plated	Triangle 8
241389-14	Chrome plated	Triangle 10
241389-15	Chrome plated	Triangle 10 / M6
241389-16	Chrome plated	Double Bit 3
241389-17	Chrome plated	Double Bit 5
241389-18	Chrome plated	DB - Deutsche Bahn. On request.
241389-20	Chrome plated	Slotted
241389-21	Chrome plated	Recessed hexagon 10
241389-22	Chrome plated	Recessed hexagon 8
241389-28	Chrome plated	Triangle 10 / M5
241389-47	Chrome plated	Recessed hexagon 8 / 3 mm pin
241389-48	Chrome plated	Recessed square 8
241389-56	Chrome plated	Tubular asymmetric
241389-79	Chrome plated	Triangle 6,5
241589-01	Black coated	Hexagon 11
241589-09	Black coated	Square 8
241589-11	Black coated	Square 8 / M6
241589-12	Black coated	Triangle 7
241589-13	Black coated	Triangle 8
241589-14	Black coated	Triangle 10
241589-15	Black coated	Triangle 10 / M6
241589-16	Black coated	Double Bit 3
241589-17	Black coated	Double Bit 5
241589-18	Black coated	DB - Deutsche Bahn. On request.
241589-20	Black coated	Slotted
241589-21	Black coated	Recessed hexagon 10
241589-22	Black coated	Recessed hexagon 8
241589-28	Black coated	Triangle 10 / M5
241589-47	Black coated	Recessed hexagon 8 / 3 mm pin
241589-48	Black coated	Recessed square 8
241589-56	Black coated	Tubular asymmetric
241589-79	Black coated	Triangle 6,5

Other inserts on request.

