

QUARTER-TURN LATCH 18 MM



Spring-loaded latch for slam action. Version for left hinged door is normally in 10 o'clock position and temporarily moves up to 11 o'clock position when pressed against the frame. When the door is fully closed the cam springs down to the 10 o'clock position again, latching the door.

Version for right hinged door is normally in 2 o'clock position and moves up to 1 o'clock position when pressed against the frame (inside view). Version for left hinged door is shown.



MATERIAL

Cam: Zinc die cast, chrome plated

Housing: Zinc die cast, chrome plated or black texture powder coated

Insert: Zinc die cast, chrome plated or black texture powder coated

Screw washer: Steel, zinc plated

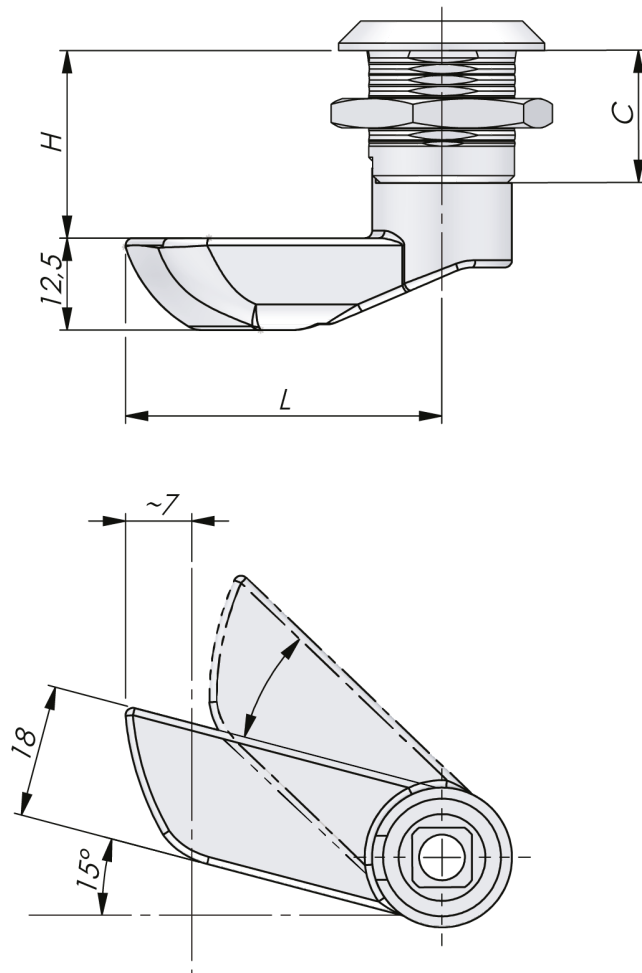
Spring: Stainless steel 304

Washer: Teflon

TECHNICAL INFORMATION

Cutout: COMBI

Standards: DIN EN 61373



Make your selections in each column to create your article number (AAAA-BCCDEF-GGGG)

AAAA Housing	B Nut	CC Insert	D Surface	E Assembly	F Cam	GGGG	H/L in mm	Cam rotation
2312 Zinc, chrome plated	0 SN+TUF	01 Square 6	2 Chrome	4 IP54 - assembled	0 Zinc, chrome plated	020L	20,5 / 32	Left hinged door
2316 Zinc, black coated	1 EN+TUF	03 Square 7	Black			020R	20,5 / 32	Right hinged door
		05 Square 8	6 Powder Coated			025L	25,5 / 43	Left hinged door
		07 Square 8 / slotted				025R	25,5 / 43	Right hinged door
		08 Square 8 / M6						
		11 Square 8 / recessed						
		14 Triangle 7						
		15 Triangle 8						
		16 Triangle 10						
		17 Triangle 10 / M5						
		18 Triangle 10 / M6						
		19 Triangle 10 / SEN						
		21 Triangle 10 - radius ES3						
		22 Double Bit 3						
		24 Double Bit 5						
		26 Slotted						
		28 Slotted with arrow						
		29 Slotted recessed						
		31 Hexagon 8,5						
		32 Hexagon 11						
		34 Recessed hexagon 8						
		35 Recessed hexagon 10						
		36 Recessed hex 8 / 3 mm pin						
		37 Solid plug						
		39 Triangle 10 - radius						

SN = Standard nut. EN = Earthing nut
 TUF = Assembled with TUF-lock to achieve DIN EN 61373.

