

QUARTER-TURN WING KNOB STAINLESS STEEL 18 MM



Quarter-turn wing knob in locking or non-locking version in acid proof stainless steel 316. Universal clockwise or counter-clockwise rotation when opening or closing. Non-locking version sealed to protection degree IP65. Supplied with nut and two keys.



MATERIAL

Cylinder: Zinc die cast, stainless steel 304 cap and dust shutter

Housing: Stainless steel 316

Knob: Stainless steel 316

Nut: Stainless steel 316

Screw: Stainless steel 316

RELATED PRODUCTS

Rod guides: 2-560, 2-570

Rod adapters: 2-541

Cams: 2-480, 2-490

Rods: 2-540, 2-545, 2-541

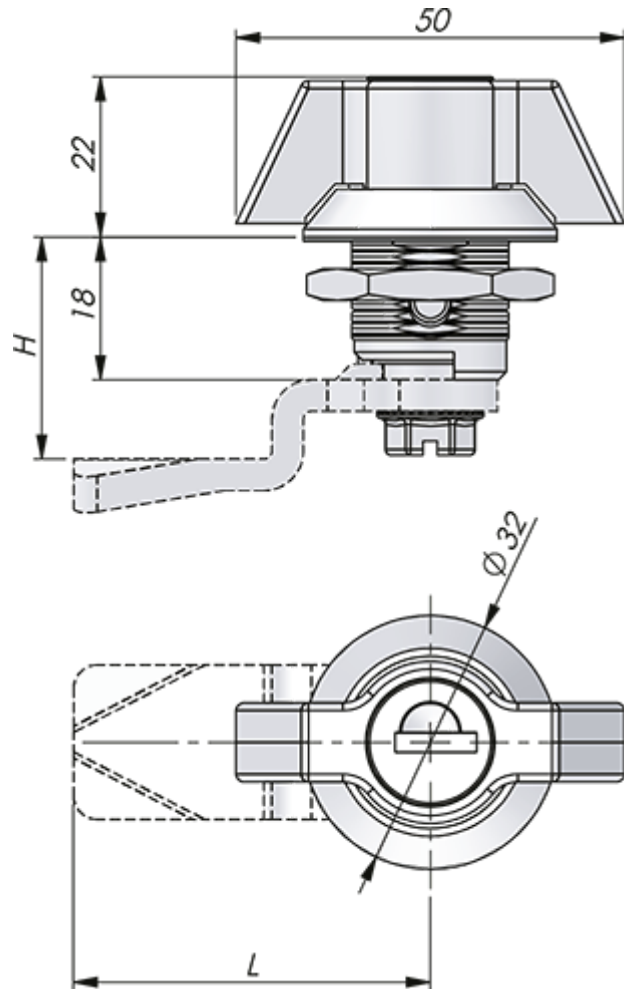
Use the Index Code at industrilas.com

TECHNICAL INFORMATION

Key extraction: Open / Closed

Cylinder information: Supplied with two keys

Standards: IP65



Industrilas
— When access counts —

P/N	Description	Material
249042-0	Non-locking	Stainless steel 316
249042-8	Keyed alike IL0333	Stainless steel 316

