



COMPRESSION L-HANDLE STAINLESS STEEL

Compression L-handle closed and tightened with a single half-turn motion. The first 90° turn moves the cam 90° and the second 90° turn retracts the cam 6 mm. Protection degree IP69K and waterproof according to NEMA 4.

Available in two latch types: cam mounted at fixed position and cam mounted at an adjustable position. The adjustable version offers an extended, threaded shaft which allows you to place the cam along its entire length. The cam is fixed with counter-nuts.

Cams are ordered separately.



MATERIAL

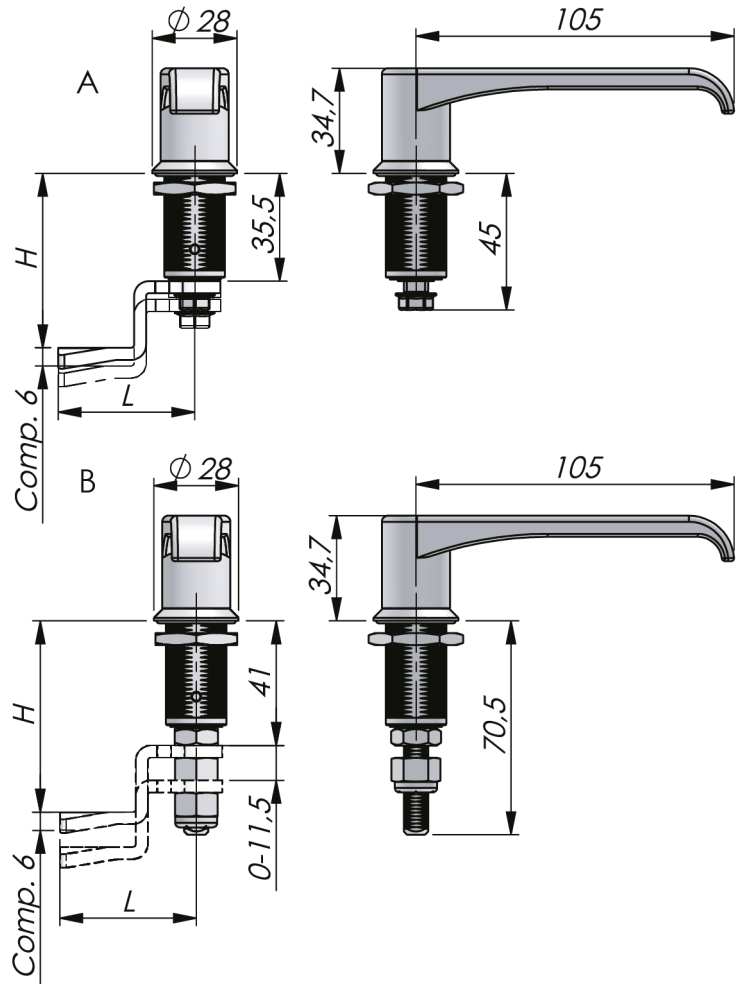
Counter-nuts: Stainless steel 304
Handle: Stainless steel 304
Housing: Stainless steel 304
Nut: Stainless steel 303

RELATED PRODUCTS

Rods: 2-540, 2-541, 2-545
Rod guides: 2-560, 2-570
Rod adapters: 2-541
Cams: 2-481, 2-491, 2-510, 2-520
 Use the Index Code at industrilas.com

TECHNICAL INFORMATION

Cutout: COMBI
Standards: IP69K, NEMA 4, DIN EN 61373



P/N	Description	Drawing
243087-600	Fixed	A
243089-600	Adjustable	B

