

QUARTER-TURN L-HANDLE STAINLESS STEEL 18 MM



Padlockable L-handle in stainless steel 304 or acid-proof stainless steel 316.
Universal clockwise or counter-clockwise rotation when opening or closing.
Supplied with nut.



MATERIAL

Handle: Stainless steel 304

RELATED PRODUCTS

Rods: 2-540, 2-541, 2-545

Rod guides: 2-560, 2-570

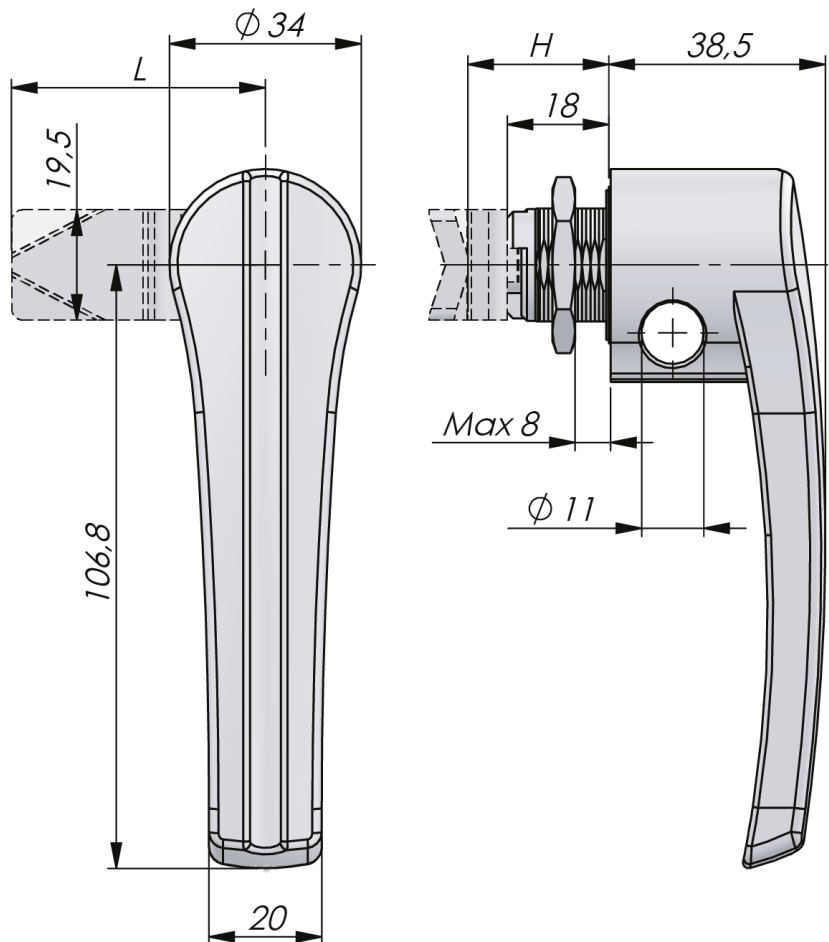
Rod adapters: 2-541

Cams: 2-480, 2-490, 2-510, 2-520

Use the Index Code at industrilas.com

TECHNICAL INFORMATION

Standards: IP65



Industrilas
— When access counts —

Make your selections in each column to create your article number (AAAAAA-B-HHLL)

AAAAAA	Material	B	Assembly	HHLL	H/L in mm
263064	Stainless steel 304	0	No cam	0000	No cam
269064	Stainless steel 316	1	RH	0445	4 / 45
		2	LH	0645	6 / 45
				0845	8 / 45
				1045	10 / 45
				1245	12 / 45
				1445	14 / 45
				1645	16 / 45
				1845	18 / 45
				2045	20 / 45
				2245	22 / 45
				2445	24 / 45
				2645	26 / 45
				2845	28 / 45
				3045	30 / 45
				3245	32 / 45
				3445	34 / 45
				3645	36 / 45
				3845	38 / 45
				4045	40 / 45
				4245	42 / 45
				4445	44 / 45
				4645	46 / 45
				4845	48 / 45
				5045	50 / 45

