

# EXTERNAL HINGE 180° STAINLESS STEEL



External profile hinge in stainless steel for surface mounted doors. Universal left and right mounting and with opening angle 180°. Screw mounted.



**MATERIAL**

Hinge: Stainless steel 303

**RELATED PRODUCTS**

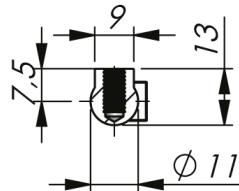
Other materials: 3-570

Use the Index Code at [industrilas.com](http://industrilas.com)

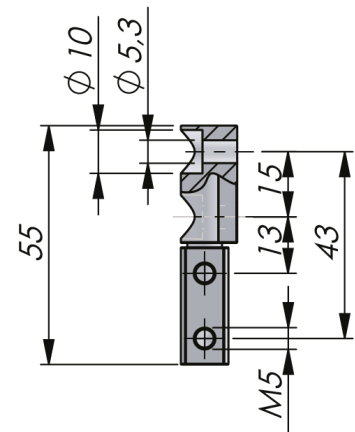
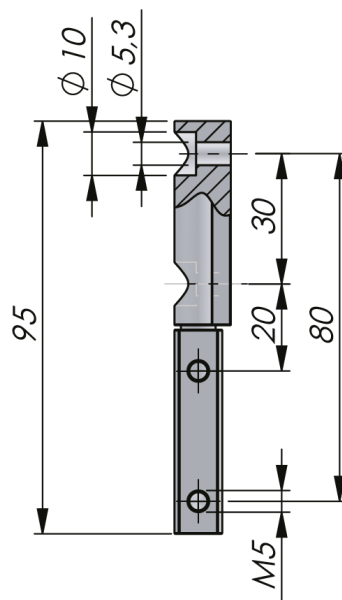
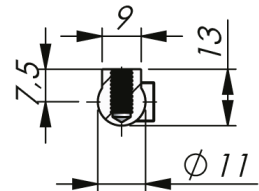
**TECHNICAL INFORMATION**

Supplied with screws, screw covers and washers.

A



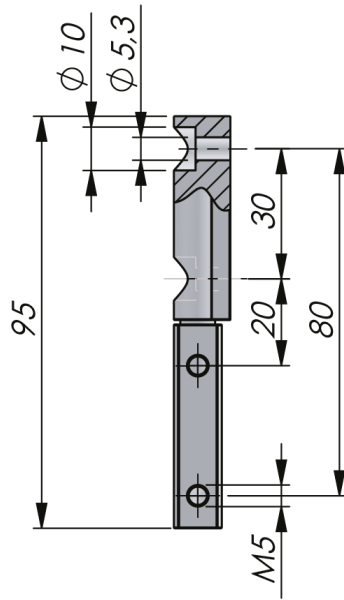
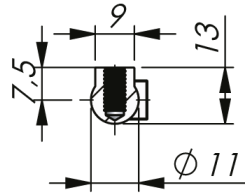
B



**Industrilas**  
— When access counts —

P/N	Mounting	Height	Drawing
322123-RF	Screw-on	95 mm	A
322124-RF	Screw-on	55 mm	B

A



B

