



EXTERNAL HEAVY-DUTY HINGE 180° STAINLESS STEEL

Heavy-duty rolled hinge for mounting with screws or rivets that is ideal for vehicles. The hinge-leaves are folded, designed for a flat surface for mounting, and the four mounting holes have hole diameter $\varnothing 6,5$ mm. Opening angle 180°. The hinge pin is fixed.



MATERIAL

Hinge: Stainless steel 304

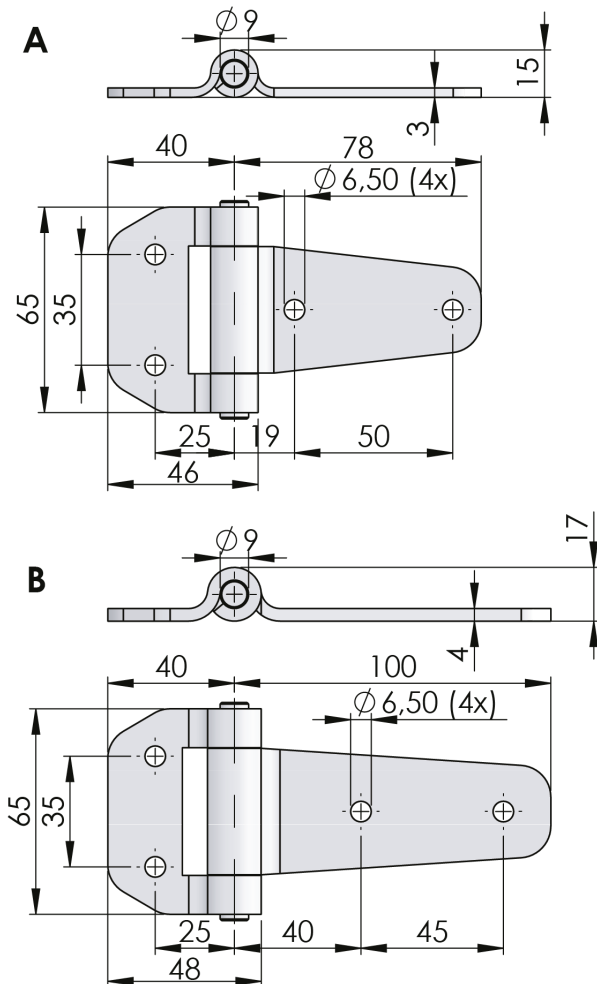
RELATED PRODUCTS

Other materials: 3-680

Use the Index Code at industrilas.com

TECHNICAL INFORMATION

Standards: DIN EN 61373



P/N	Material	Drawing
323081-01	Stainless steel 304	A
323081-02	Stainless steel 304	B

