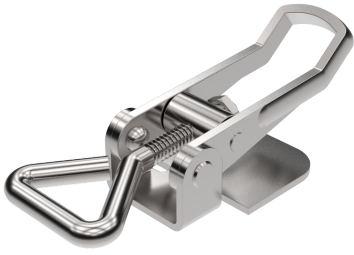


ADJUSTABLE PULL-DOWN CATCH & STRIKER



Adjustable pull-down catch with M5-thread. Type B is equipped with a padlock eyelet.



MATERIAL

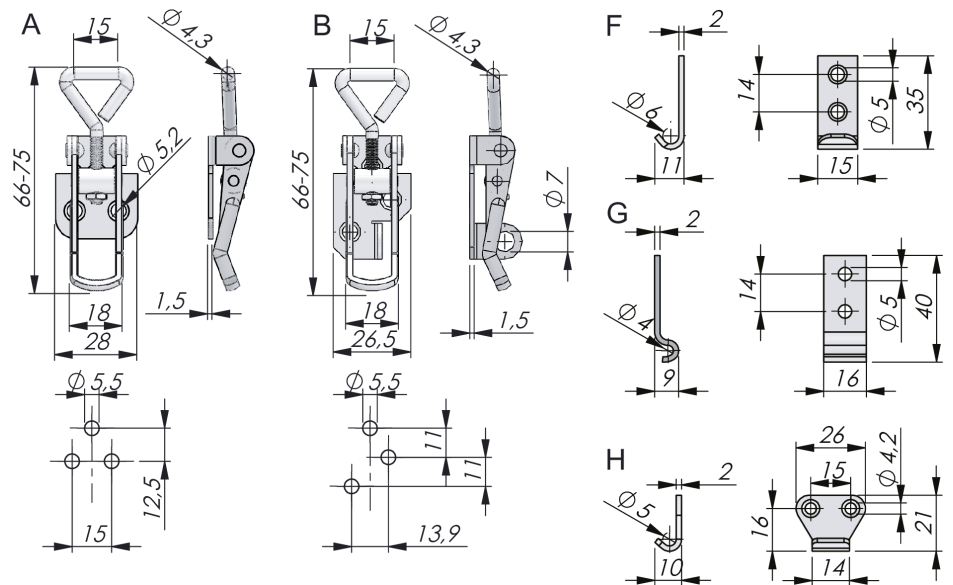
Pull down catch: Stainless steel 304

Striker: Stainless steel 304

RELATED PRODUCTS

Other materials: 5-310

Use the Index Code at industrilas.com



P/N	Description	Material	Type	Hole pattern
580104	Striker	Stainless steel 304	H	2 x Ø 4,2
580184	Striker	Stainless steel 304	F	2 x Ø 5,0
580194	Striker	Stainless steel 304	G	2 x Ø 5,0
580903	Adjustable Pull-Down Catch	Stainless steel 304	A	-
580904	Adjustable Pull-Down Catch	Stainless steel 304	A	3 x Ø 5,5
580913	Adjustable Pull-Down Catch (padlockable)	Stainless steel 304	B	-
580914	Adjustable Pull-Down Catch (padlockable)	Stainless steel 304	B	3 x Ø 5,5