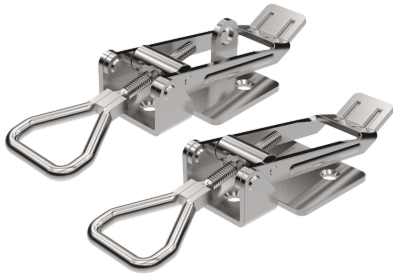


# ADJUSTABLE PULL-DOWN CATCH & STRIKER



Adjustable pull-down catch with M8-thread. Equipped with a padlock eyelet.



**MATERIAL**

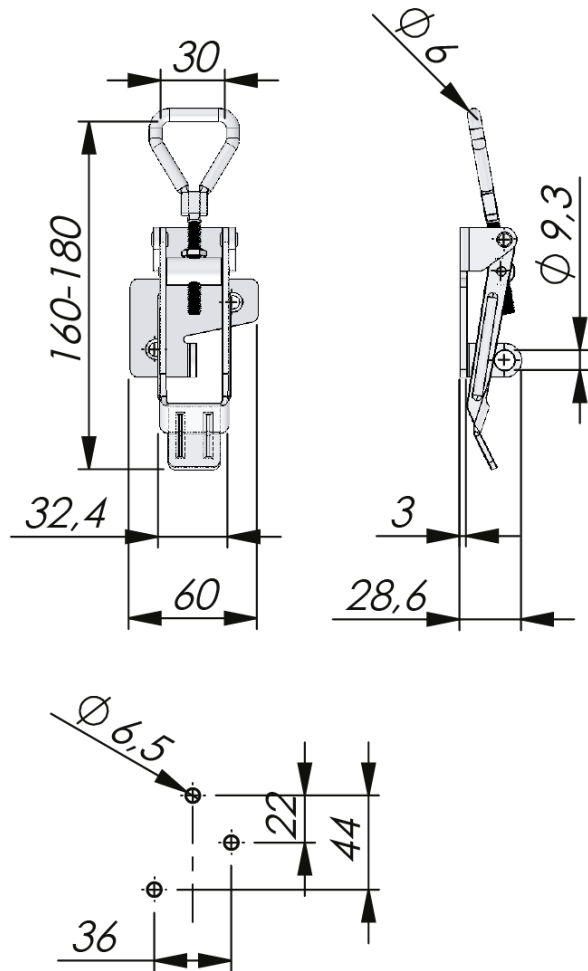
**Pull down catch:** Stainless steel 304

**Striker:** Stainless steel 304

**RELATED PRODUCTS**

**Other materials:** 5-330

Use the Index Code at [industrilas.com](http://industrilas.com)



**Industrilas**  
— When access counts —

P/N	Description	Material	Hole pattern
580144	Striker	Stainless steel 304	2 x Ø 5,5
581074	Adjustable Pull-Down Catch (padlockable)	Stainless steel 304	3 x Ø 6,5

