

PULL-DOWN CATCH & STRIKER



This catch is available in two versions. Version A comes with a folded spring-action catch and version B comes with a straight catch and 3 mm hole for locking pin.



MATERIAL

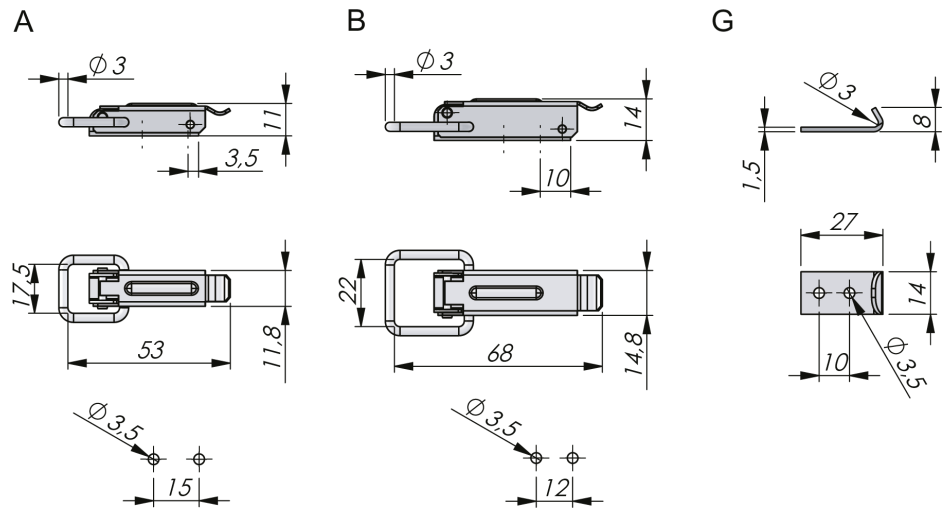
Pull down catch: Stainless steel 304

Striker: Stainless steel 304

RELATED PRODUCTS

Other materials: 5-340

Use the Index Code at industralas.com



P/N	Description	Material	Hole pattern	Drawing
580314	Striker	Stainless steel 304	2 x Ø 3,5	G
581204	Pull-Down Catch	Stainless steel 304	2 x Ø 3,5	A
581214	Pull-Down Catch	Stainless steel 304	2 x Ø 3,5	B