

QUARTER-TURN WING KNOB 18 MM



Quarter-turn wing knob in locking or non-locking version. Ergonomic design enables a firm grip when opening and the knob has a universal clockwise or counter-clockwise rotation when opening or closing. The key can be removed in both the open and locked position. Supplied with nut and two keys. Protection degree IP65.



MATERIAL

Cam and screw: Steel, zinc plated

Cylinder: Zinc die cast, stainless steel 304 cap and dust shutter

Earthing nut: Zinc die cast, zinc plated

Housing: Zinc die cast, chrome plated

Standard nut: Zinc die cast, zinc plated

Wing knob: Zinc die cast, chrome plated, black texture powder coated or glass fibre reinforced Polyamide (PA6GF30), black

RELATED PRODUCTS

Rods: 2-540, 2-541, 2-545

Rod guides: 2-560, 2-570

Rod adapters: 2-541

Cams: 2-481, 2-491, 2-510, 2-520

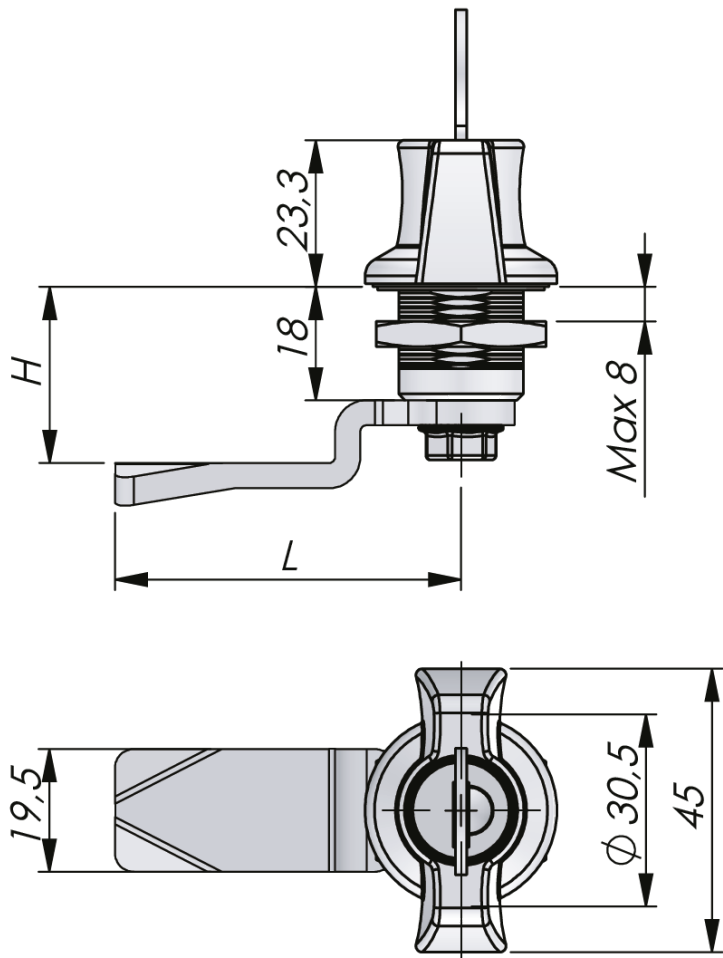
Use the Index Code at industrilas.com

TECHNICAL INFORMATION

Cutout: COMBI

Standards: IP65

Cylinder information: Master key system on request



Industrilas
— When access counts —

Make your selections in each column to create your article number (AAAAAB-C-HHLL)

AAAAA	Surface on wing knob/housing	B	Fixation nut	C	Cylinder / Locking	HHLL	H/L in mm
24134	Zinc wing knob. Chrome housing.	2	Standard nut	0	Non-locking	0000	No cam
24164	Zinc wing knob. Black housing.	3	Earthing nut	1	Keyed alike IL101	0445	4 / 45
24504	PA6 wing knob. Zinc housing.			2	Keyed to differ *	0645	6 / 45
				7	Keyed alike IL0333	0845	8 / 45
							1045
						1245	12 / 45
						1445	14 / 45
						1645	16 / 45
						1845	18 / 45
						2045	20 / 45
						2245	22 / 45
						2445	24 / 45
						2645	26 / 45
						2845	28 / 45
						3045	30 / 45
						3245	32 / 45
						3445	34 / 45
						3645	36 / 45
						3845	38 / 45
						4045	40 / 45
						4245	42 / 45
						4445	44 / 45
						4645	46 / 45
						4845	48 / 45
						5045	50 / 45

