



## QUARTER-TURN T-HANDLE 18 MM

Quarter-turn T-handle in locking or non locking version that has universal clockwise or counter-clockwise rotation when opening or closing. Supplied with nut and two keys. Protection degree IP65.



### MATERIAL

**Cam and screw:** Steel, zinc plated

**Handle:** Zinc die cast, chrome plated or black texture powder coated

**Cylinder:** Zinc die cast, stainless steel 304 cap and dust shutter

**Earthing nut:** Zinc die cast, zinc plated

**Housing:** Zinc die cast, chrome plated or black texture powder coated

**Standard nut:** Zinc die cast, zinc plated

### RELATED PRODUCTS

**Other materials:** 6-150

**Cams:** 2-490, 2-510, 2-480

**Rod guides:** 2-560, 2-570

**Rod adapters:** 2-541

**Rods:** 2-540, 2-541, 2-545

Use the Index Code at [industrilas.com](http://industrilas.com)

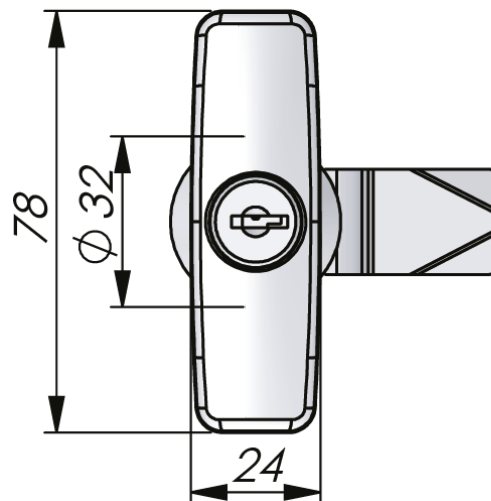
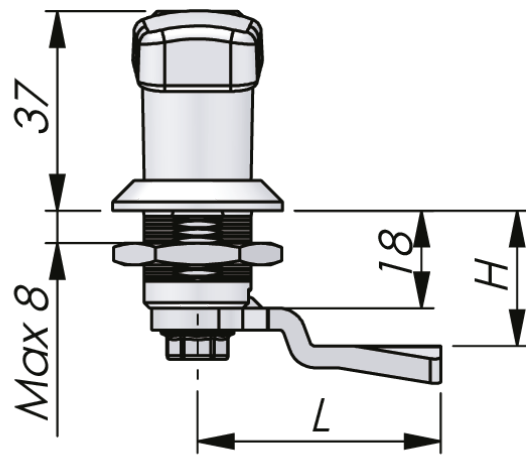
### TECHNICAL INFORMATION

**Delivery includes:** Supplied with nut

**Standards:** IP65, DIN EN 61373

**Cutout:** COMBI

**Cylinder information:** Master key system on request, Supplied with two keys



**Industrilas**  
— When access counts —

**Make your selections in each column to create your article number (AAAA-BCCDEF-HLL)**

AAAA Handle	B Nut	CC Cylinder	D Surface	E Assembly	F Cam	HLL H/L in mm	
2510 T-handel 18 mm	0 SN	00 Non-locking	2 Chrome	2 IP54 - enclosed cam	0 Steel	0000 No cam	
		80 Keyed alike IL101				6 Black Powder Coated	0445 4 / 45
	1 EN	81 Keyed alike IL0333		3 IP65 - enclosed cam			0645 6 / 45
		90 Keyed to differ					4 IP54 - assembled
						1245 12 / 45	
						1445 14 / 45	
						1645 16 / 45	
						1845 18 / 45	
						2045 20 / 45	
						2245 22 / 45	
						2445 24 / 45	
						2645 26 / 45	
						2845 28 / 45	
						3045 30 / 45	
						3245 32 / 45	
						3445 34 / 45	
						3645 36 / 45	
						3845 38 / 45	
						4045 40 / 45	
4245 42 / 45							
4445 44 / 45							
4645 46 / 45							
4845 48 / 45							
5045 50 / 45							

SN = Standard nut EN = Earthing nut

