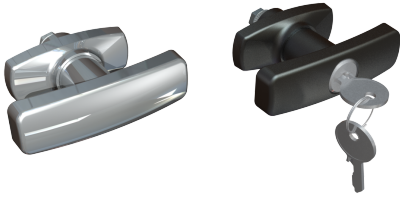


# QUARTER-TURN T-HANDLE



Quarter-turn T-handle in locking or non-locking version that opens by turning the handle clockwise or counter-clockwise. Housing for assembly with screws from inside. Supplied with two mounting screws. Protection degree IP54.



IP54

## MATERIAL

**Cam and screw:** Steel, zinc plated

**Cylinder:** Zinc die cast, stainless steel 304 cap and dust shutter

**Handle:** Zinc die cast, chrome plated or black texture powder coated

**Housing:** Zinc die cast, chrome plated or black texture powder coated

## RELATED PRODUCTS

**Rod guides:** 2-560, 2-570

**Rod adapters:** 2-541

**Cams:** 2-481, 2-491, 2-510, 2-520

**Rods:** 2-540, 2-541, 2-545

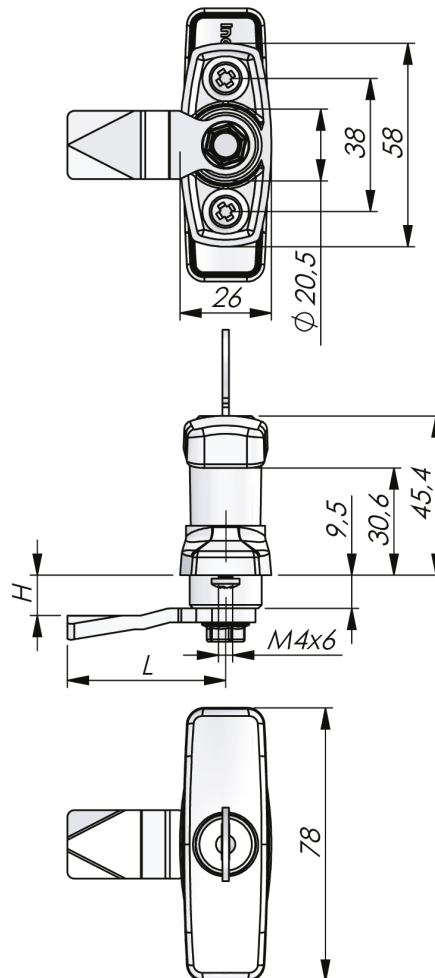
Use the Index Code at [industrilas.com](http://industrilas.com)

## TECHNICAL INFORMATION

**Key extraction:** Open / Closed

**Cylinder information:** Supplied with two keys

**Standards:** IP54



**Industrilas**  
— When access counts —

**Make your selections in each column to create your article number (AAAA-BCCDEF-HLLL)**

AAAA Handle	B Material / Finish	CC Cylinder	D Opening rotation	E Assembly	F Material cam	HLLL H/L in mm
2511 T-handle	1 Zinc / Chrome	00 Non-locking	2 Counter-clockwise	1 IP54 - enclosed cam	0 Steel	0000 No cam
		80 Keyed alike IL101				3 Clock-wise
		6 Zinc / Black	81 Keyed alike IL0333	0645 6 / 45		
			90 Keyed to differ	0845 8 / 45		
	1045 10 / 45					
	1245 12 / 45					
	1445 14 / 45					
	1645 16 / 45					
	1845 18 / 45					
	2045 20 / 45					
	2245 22 / 45					
	2445 24 / 45					
	2645 26 / 45					
	2845 28 / 45					
	3045 30 / 45					
	3245 32 / 45					
	3445 34 / 45					
	3645 36 / 45					
	3845 38 / 45					
	4045 40 / 45					
4245 42 / 45						
4445 44 / 45						
4645 46 / 45						
4845 48 / 45						
5045 50 / 45						

\* Master key system on request.

