



QUARTER-TURN L-HANDLE

Quarter-turn L-handle in locking or non-locking version that opens by turning the handle clockwise or counter-clockwise. Housing for assembly with screws from inside. Supplied with two mounting screws.



IP54

MATERIAL

Cam: Steel, zinc plated

Handle: Zinc die cast, chrome plated or black coated

Cylinder: Zinc die cast, stainless steel 304 cap and dust shutter

Housing: Zinc die cast, chrome plated or black coated

Nut: Steel, zinc plated

Screw: Steel, zinc plated

RELATED PRODUCTS

Rod guides: 2-560, 2-570

Cams: 2-481, 2-491, 2-510

Rods: 2-540, 2-541, 2-545

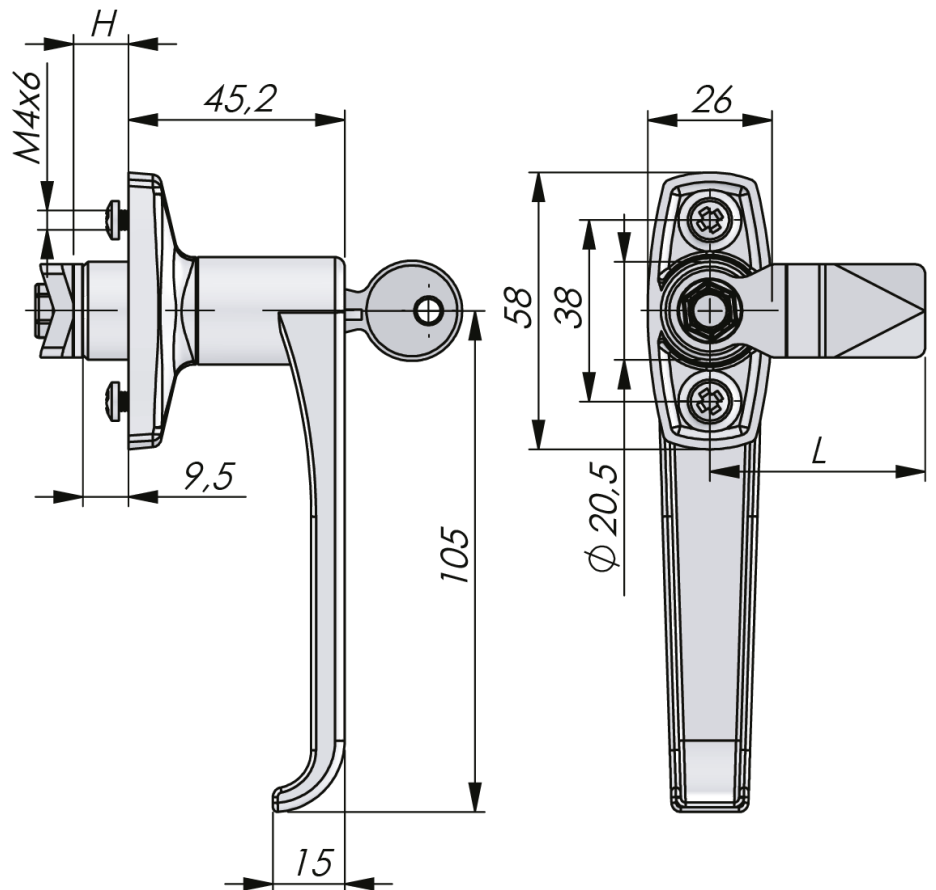
Use the Index Code at industrilas.com

TECHNICAL INFORMATION

Key extraction: Open / Closed

Cylinder information: Master key system on request, Supplied with two keys

Standards: IP54



Industrilas
— When access counts —

Make your selections in each column to create your article number (AAAA-BBCD-HHLL)

AAAA	Handle	Surface	BB	Cylinder	C	Assembly	D	Rotation	HHLL	H/L in mm
2613	L-handle	Chrome	00	Non-locking	2	IP54 - Enclosed cam	1	RH	0000	No cam
2615	L-handle	Black	80	Keyed to differ	4	IP54 - Assembled	2	LH	0445	4 / 45
			81	Keyed alike IL101					0645	6 / 45
			82	Keyed alike IL0333					0845	8 / 45
									1045	10 / 45
									1245	12 / 45
									1445	14 / 45
									1645	16 / 45
									1845	18 / 45
									2045	20 / 45
									2245	22 / 45
									2445	24 / 45
									2645	26 / 45
									2845	28 / 45
									3045	30 / 45
									3245	32 / 45
									3445	34 / 45
									3645	36 / 45
									3845	38 / 45
									4045	40 / 45
									4245	42 / 45
									4445	44 / 45
									4645	46 / 45
									4845	48 / 45
									5045	50 / 45

RH = Right hinged door. LH = Left hinged door.

