

QUARTER-TURN L-HANDLE 18 MM



L-handle with push-button controlled retractable padlock loop. Supplied with nut. Protection degree IP65.

The turning rotation may be programmed by setting the turning limiter in the bottom of the housing. This is however not needed when ordering this product assembled with cam.



MATERIAL

Cam and screw: Steel, zinc plated

Handle: Zinc die cast, black or silver texture powder coated

Housing: Zinc die cast, black or silver texture powder coated

Nut: Zinc die cast, zinc plated

Padlock loop: Stainless steel 304

RELATED PRODUCTS

Rod guides: 2-560, 2-570

Rod adapters: 2-541

Cams: 2-481, 2-491, 2-510, 2-520

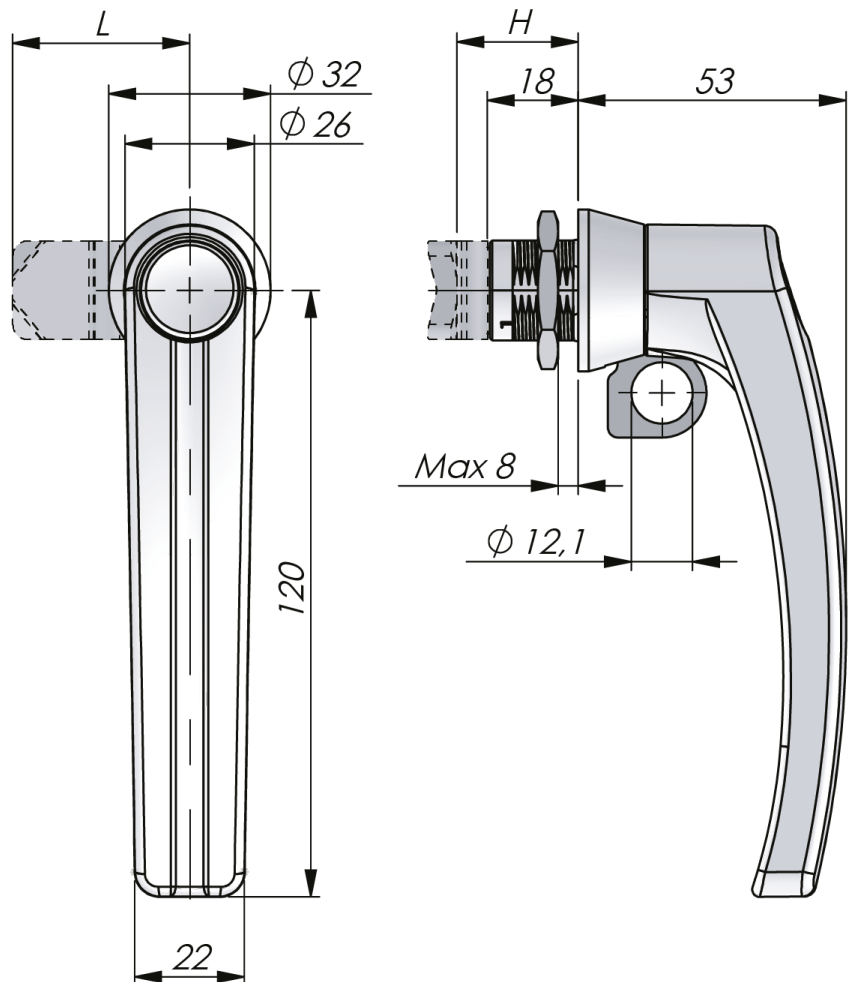
Rods: 2-540, 2-541, 2-545

Use the Index Code at industrilas.com

TECHNICAL INFORMATION

Example: 261604-1-2445 is a black push-button handle for a right hinged door and with a cam having a H-measurement of 24 mm and standard length 45 mm.

Standards: IP65



Industrilas
— When access counts —

Make your selections in each column to create your article number (AAAAAA-B-HHLL)

AAAAAA	Surface treatment	B	Assembly	HHLL	H/L in mm
261904	Silver	1	RH	0000	No cam
261604	Black	2	LH	0445	4 / 45
				0645	6 / 45
				0845	8 / 45
				1045	10 / 45
				1245	12 / 45
				1445	14 / 45
				1645	16 / 45
				1845	18 / 45
				2045	20 / 45
				2245	22 / 45
				2445	24 / 45
				2645	26 / 45
				2845	28 / 45
				3045	30 / 45
				3245	32 / 45
				3445	34 / 45
				3645	36 / 45
				3845	38 / 45
				4045	40 / 45
				4245	42 / 45
				4445	44 / 45
				4645	46 / 45
				4845	48 / 45
				5045	50 / 45

