

QUARTER-TURN VIBRATION RESISTANT 18 MM

You design this vibration resistant quarter-turn latch to accommodate your needs by combining your choices of housing, nut, insert, washer, screw and cam. The latch can be delivered un-assembled, pre-assembled with enclosed cam or fully assembled.

The latch clicks to open and closed positions with good tactile feedback.

Vibration resistant according to DIN EN 61373. Available with IP66 protection and waterproof according to NEMA 4.



MATERIAL

Housing: Zinc die cast, chrome plated, black texture powder coated, zinc plated with black PA6 collar or glass fiber reinforced Polyamide PA6

Insert: Zinc die cast, chrome plated or black texture powder coated

Cam and screw: Steel, zinc plated

Standard nut: Zinc die cast, zinc plated

Earthing nut: Zinc die cast, zinc plated

Washer: Stainless steel 304

RELATED PRODUCTS

Similar products: 2-120

Housings: 2-021

Inserts: 2-022

Handles and knobs: 2-360

Keys: 2-372, 2-380, 2-370

Accessories: 2-420, 2-590

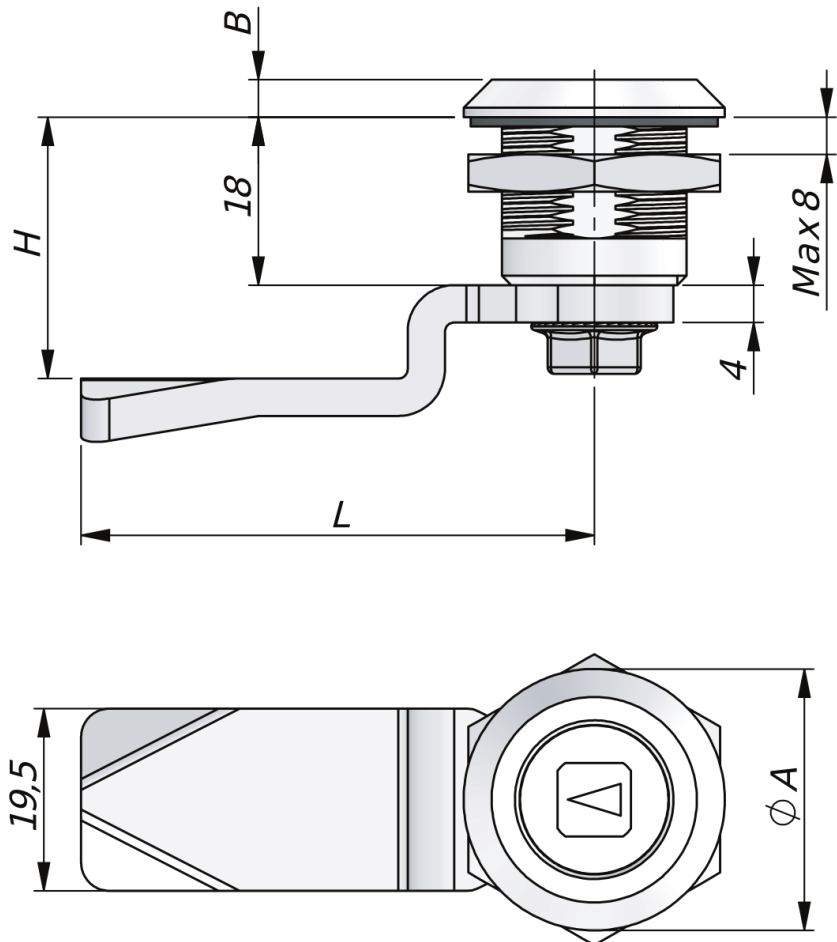
Cams: 2-481, 2-491, 2-510, 2-520

Use the Index Code at industrilas.com

TECHNICAL INFORMATION

Cutout: COMBI

Standards: IP66, NEMA 4, DIN EN 61373



Industrilas
— When access counts —

Make your selections in each column to create your article number (AAAA-BCCDEF-HLLL)

AAAA Housing	B Nut	CC Insert	D Surface - insert	E Assembly	F Cam	HLLL H/L in mm
2412 Zinc, chrome plated A=28, B=4	0 SN	01 Square 6	2 Chrome	0 IP54 - not assembled	0 Steel	0000 No cam
	1 EN	03 Square 7	6 Black			
2415 PA6, black A=28, B=4	2 SN+TUF	05 Square 8		1 IP66 - not assembled		0445 4 / 45
	4 EN+TUF	07 Square 8 / slotted				0645 6 / 45
2416 Zinc, black coated A=28, B=4		08 Square 8 / M6		2 IP54 - enclosed cam		0845 8 / 45
		11 Square 8 / recessed		3 IP66 - enclosed cam		1045 10 / 45
2422 Zinc, chrome plated A=32, B=6		14 Triangle 7		4 IP54 - assembled		1245 12 / 45
		15 Triangle 8		5 IP66 - assembled		1445 14 / 45
2425 PA6, black A=32, B=6		16 Triangle 10		6 IP66 PUR - not assembled		1645 16 / 45
		17 Triangle 10 / M5				1845 18 / 45
2426 Zinc, black coated A=32, B=6		18 Triangle 10 / M6		7 IP66 PUR - enclosed cam		2045 20 / 45
		19 Triangle 10 / SEN				2245 22 / 45
2442 Zinc, PA6 collar A=28, B=4		21 Triangle 10 - radius ES3		8 IP66 PUR - assembled		2445 24 / 45
		22 Double Bit 3				2645 26 / 45
		24 Double Bit 5				2845 28 / 45
		26 Slotted				3045 30 / 45
		28 Slotted with arrow				3245 32 / 45
		29 Slotted recessed				3445 34 / 45
		31 Hexagon 8,5				3645 36 / 45
		32 Hexagon 11				3845 38 / 45
		34 Recessed hexagon 8				4045 40 / 45
		35 Recessed hexagon 10				4245 42 / 45
		36 Recessed hex 8 / 3 mm pin				4445 44 / 45
		37 Solid plug				4645 46 / 45
		38 Stockholm Energy				4845 48 / 45
		39 Triangle 10 - radius				5045 50 / 45

SN = Standard nut. EN = Earthing nut

TUF = Assembled with TUF-lock screw to achieve DIN EN 61373

To fulfill DIN EN 61373 the latch can be supplied with screw with mechanical thread lock, see column B (Nut).

PUR-gasket can only be supplied on housings 2412-* and 2416-*.

