

QUARTER-TURN L-HANDLE



Quarter-turn L-handle for padlock, with spring loaded retractable padlock loop. Supplied with nut. Protection degree IP65, also classed Waterproof according to NEMA 4.



MATERIAL

Cam and screw: Steel, zinc plated

Earthing nut: Zinc die cast, zinc plated

Handle: Zinc die cast, chrome plated or black coated

Housing: Zinc die cast, chrome plated or black coated

Padlock loop: Steel, chrome plated or black coated

Standard nut: Zinc die cast, zinc plated

RELATED PRODUCTS

Rod guides: 2-560, 2-570

Rod adapters: 2-541

Rods: 2-540, 2-541, 2-545

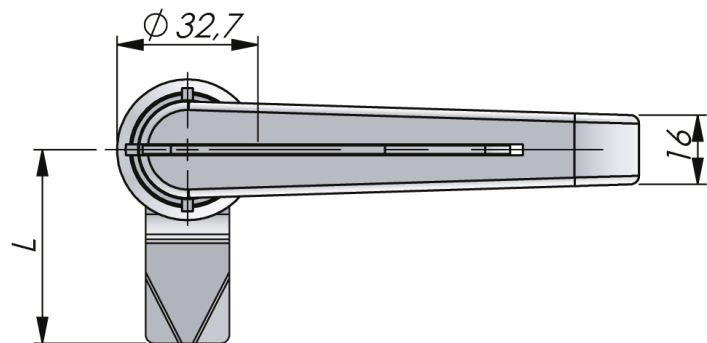
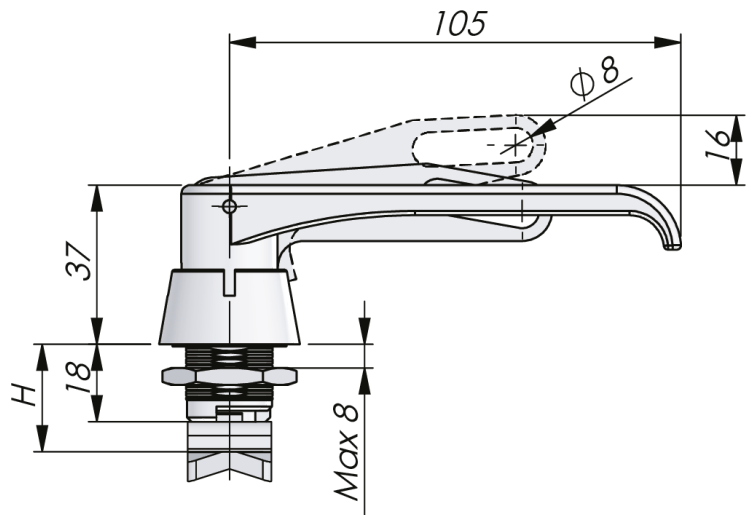
Cams: 2-480, 2-490, 2-510, 2-520

Use the Index Code at industrilas.com

TECHNICAL INFORMATION

Example: 261565-1-4045 is a black L-handle for a right hinged door with a standard fixation nut, and a cam having a H-measurement of 40 mm with standard length of 45 mm.

Standards: IP65, NEMA 4



Industrilas
— When access counts —

Make your selections in each column to create your article number (AAAAAA-B-HHLL)

AAAAAA	Surface treatment	Nut	B	Assembly	HHLL	H/L in mm
261364	Chrome	Standard	0	No cam	0000	No cam
261365	Chrome	Earthing nut	1	RH	0445	4 / 45
261564	Black	Standard	2	LH	0645	6 / 45
261565	Black	Earthing nut			0845	8 / 45
					1045	10 / 45
					1245	12 / 45
					1445	14 / 45
					1645	16 / 45
					1845	18 / 45
					2045	20 / 45
					2245	22 / 45
					2445	24 / 45
					2645	26 / 45
					2845	28 / 45
					3045	30 / 45
					3245	32 / 45
					3445	34 / 45
					3645	36 / 45
					3845	38 / 45
					4045	40 / 45
					4245	42 / 45
					4445	44 / 45
					4645	46 / 45
					4845	48 / 45
					5045	50 / 45

RH = Right hinged door. LH = Left hinged door.

