

# QUARTER-TURN WING KNOB



Lock knob for Scandinavian oval cylinder and for right hinged door. Start by unlocking the cylinder, then open latch by turning the entire cylinder cover counter-clockwise. Supplied with nut. Combi cut-out, with an additional hole and protection degree IP54.

IP54

### MATERIAL

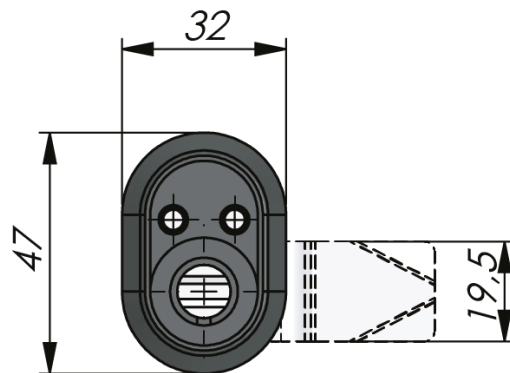
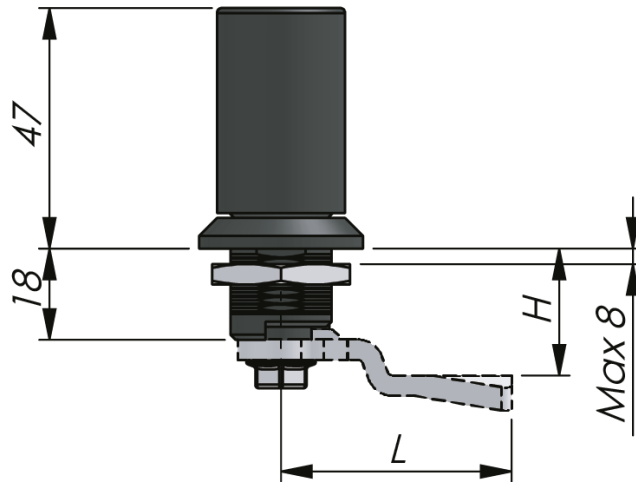
**Casing:** Zinc die cast, black powder coated  
**Screw:** Steel, zinc plated  
**Housing:** Zinc die cast, black powder coated  
**Nut:** Zinc die cast, zinc plated

### RELATED PRODUCTS

**Rods:** 2-540, 2-541, 2-545  
**Cams:** 2-490, 2-510, 2-520, 2-480  
**Rod guides:** 2-560, 2-570  
**Rod adapters:** 2-541  
**Cylinders:** 1-010  
 Use the Index Code at [industrilas.com](http://industrilas.com)

### TECHNICAL INFORMATION

**Standards:** IP54



**Industrilas**  
 — When access counts —

P/N	Description
261573	Lock knob for 6- or 7-pin cylinder

