

KLIMA-FLEX 1 HANDLE



Klima-flex HVAC handles is a latching system in locking and non-locking versions. The Klima-flex system is designed for quick and easy mounting of the handles on site. Handles are available for doors opening both inwards and outwards. The handles for doors opening inwards are delivered with customized roller cam.



MATERIAL

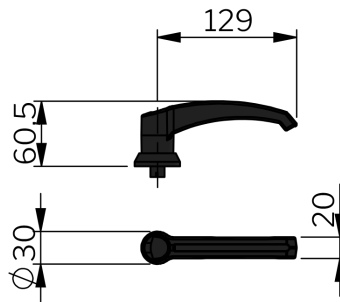
- Cam shaft:** Steel, zinc plated
- Cylinder:** Zinc die cast, stainless steel 304 cap and dust shutter
- Handle:** Glass fibre reinforced polyamide (PA6GF30)
- Insert:** Zinc die cast, black texture powder coated
- Padlock loop:** Steel, zinc plated
- Roller:** Glass fibre reinforced polyamide (PA6GF30)

RELATED PRODUCTS

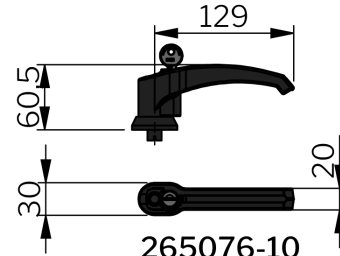
- Latching units:** 2-311ab, 2-311cd, 2-316a, 2-316b
 - Roller cams:** 2-312ab, 2-312cd
 - Interlink rods:** 2-313a
 - Rod links:** 2-313b
 - Safety catches:** 2-314
 - Keys:** 2-372, 2-370
- Use the Index Code at industrilas.com

TECHNICAL INFORMATION

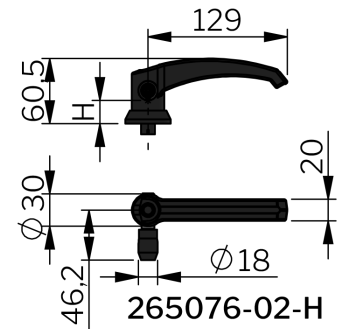
- Standards:** VDI 6022
- Cylinder information:** Master key system on request, Supplied with two keys
- Key extraction:** Open / Closed



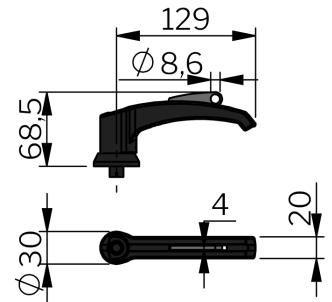
265076-00



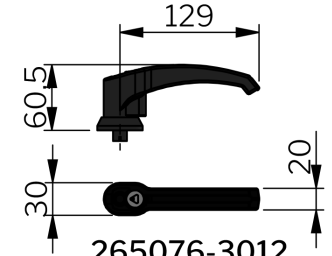
265076-10



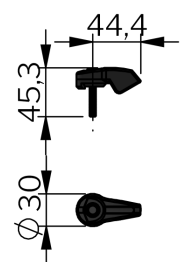
265076-02-H



265076-60



265076-3012



265077-00

P/N	Description	Door	Outside roller cam included
265076-00	Non-locking	Outswing	-
265076-02-H	Non-locking	Inswing	Yes
265076-10	Keyed alike IL0333	Outswing	-
265076-12-H	Keyed alike IL0333	Inswing	Yes
265076-20	Keyed to differ (master key system on request)	Outswing	-
265076-22-H	Keyed to differ (master key system on request)	Inswing	Yes
265076-3009	Insert Square 8	Outswing	-
265076-3012	Insert Triangle 7	Outswing	-
265076-3023	Insert Recessed hexagon 8 (5/16 inch)	Outswing	-
265076-3209-H	Insert Square 8	Inswing	Yes
265076-3212-H	Insert Triangle 7	Inswing	Yes
265076-3223-H	Insert Recessed hexagon 8 (5/16 inch)	Inswing	Yes
265076-60	Padlockable	Outswing	-
265076-62-H	Padlockable	Inswing	Yes
265076-IL10	Keyed alike IL101 **	Outswing	-
265076-IL10-7-H	Keyed alike IL101 **	Inswing	Yes
265077-00	Knob	Outswing	-

For P/N with "H" you can order customized cams. Please provide us with the H-measurement.