

KLIMA-FLEX 2 HANDLE FOR KLIMA-FLEX 1 LATCH



With these handles you can equip your Klima-flex 1 latching unit with Klima-flex 2 handles. You have many versions to choose from: tool operated, key locking, padlocking and non-locking.

Industrilas Klima-flex™ for HVAC applications is designed for extreme simplicity in mounting in your insulated doors.

Learn more about designing a full Klima-flex system here.

MATERIAL

Screw: Steel, zinc plated
Handle: Glass fibre reinforced polyamide (PA6GF30)

RELATED PRODUCTS

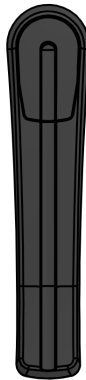
Latching units: 2-311ab, 2-311cd, 2-316a, 2-316b
Roller cams: 2-312ab, 2-312cd
Rod links: 2-313b
Safety catches: 2-314
Keys: 2-372, 2-370
 Use the Index Code at industrilas.com

TECHNICAL INFORMATION

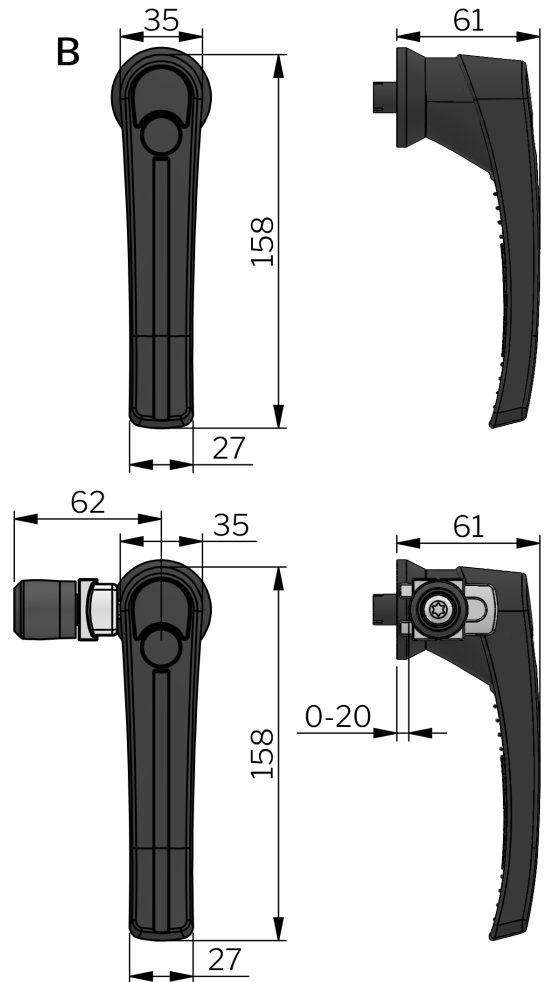
Standards: VDI 6022
 Inside handle may only be used in combination with non-locking outside handle.
 Red handles available on request.

Key extraction: Open / Closed

A



B



P/N	Description	Door	Latching type
2651-215000	With roller cam	Inswing	Non-locking
2651-215105	With roller cam	Inswing	Square 8
2651-215114	With roller cam	Inswing	Triangle 7
2651-215134	With roller cam	Inswing	Recessed hexagon 8 (5/16 inch)
2651-215280	With roller cam	Inswing	IL101 *
2651-215281	With roller cam	Inswing	IL0333 *
2651-215290	With roller cam	Inswing	Keyed to differ *
2651-215400	Without roller cam	Outswing	Non-locking
2651-215505	Without roller cam	Outswing	Square 8
2651-215514	Without roller cam	Outswing	Triangle 7
2651-215534	Without roller cam	Outswing	Recessed hexagon 8 (5/16 inch)
2651-215680	Without roller cam	Outswing	IL101 *
2651-215681	Without roller cam	Outswing	IL0333 *
2651-215690	Without roller cam	Outswing	Keyed to differ *
2651-235400	One-piece handle. Without roller cam	Outswing	Non-locking
2651-235700	One-piece handle. Without roller cam	Outswing	Padlockable

* Key locking and supplied with two keys.