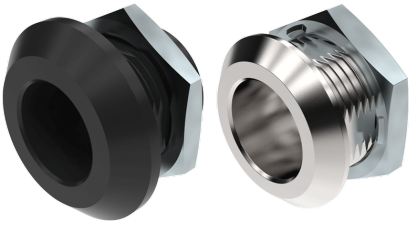


# HOUSINGS VIBRATION RESISTANT

## 18 MM



Universal clockwise or counter-clockwise rotation when opening or closing.  
Supplied with nut. Earthing nut is recommended for all applications where electricity is connected.



### MATERIAL

**Housing:** Zinc die cast, chrome plated, black texture powder coated, zinc plated with black PA6 collar or glass fiber reinforced Polyamide PA6

**Standard nut:** Zinc die cast, zinc plated

**Earthing nut:** Zinc die cast, zinc plated

### RELATED PRODUCTS

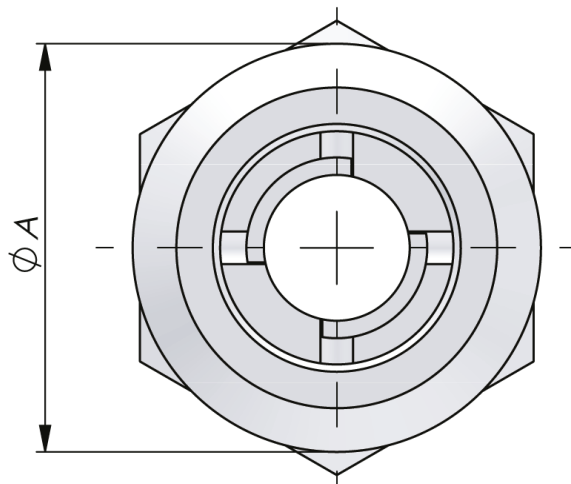
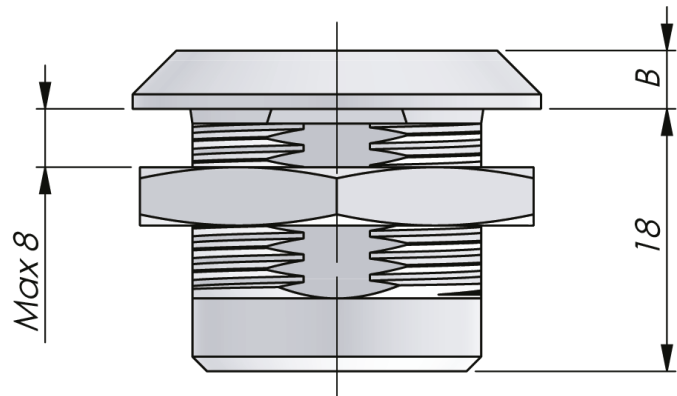
**Inserts:** 2-022

**Cams:** 2-481, 2-491, 2-510, 2-520

Use the Index Code at [industrilas.com](http://industrilas.com)

### TECHNICAL INFORMATION

**Cutout:** COMBI



P/N	Description	Material	Nut	Surface treatment	A	B
211301-IB	Housing	Zinc	Standard (A=28 B=4)	Chrome	28	4
211302-IB	Housing	Zinc	Earthing nut (A=28 B=4)	Chrome	28	4
211305-IB	Housing	Zinc	Standard (A=32 B=6)	Chrome	32	6
211306-IB	Housing	Zinc	Earthing nut (A=32 B=6)	Chrome	32	6
211601-IB	Housing	Zinc	Standard (A=28 B=4)	Black	28	4
211602-IB	Housing	Zinc	Earthing nut (A=28 B=4)	Black	28	4
211605-IB	Housing	Zinc	Standard (A=32 B=6)	Black	32	6
211606-IB	Housing	Zinc	Earthing nut (A=32 B=6)	Black	32	6
215032-IB	Housing	Glass fibre reinforced polyamide (PA6GF30)	Standard (A=28 B=4)	-	28	4
215033-IB	Housing	Glass fibre reinforced polyamide (PA6GF30)	Standard (A=32 B=6)	-	32	6
219150-IB	Housing / PA6 collar	Zinc / PA6	Standard (A=28 B=4)	-	28	4
219151-IB	Housing / PA6 collar	Zinc / PA6	Earthing nut (A=28 B=4)	-	28	4

