

KLIMA-FLEX 1 ROD LINKS



The Klima-flex 1 Rod Links are used to operate two or more locking units with one handle. The handle is connected to interlink rods and rod links, and since the rod link clamps the interlink rod, you can connect several latching units to one handle.



MATERIAL

Link: Steel, zinc plated or stainless steel 304

Rod connection: Zinc die cast, zinc plated or stainless steel 303

Screw: Steel, zinc plated or stainless steel 304

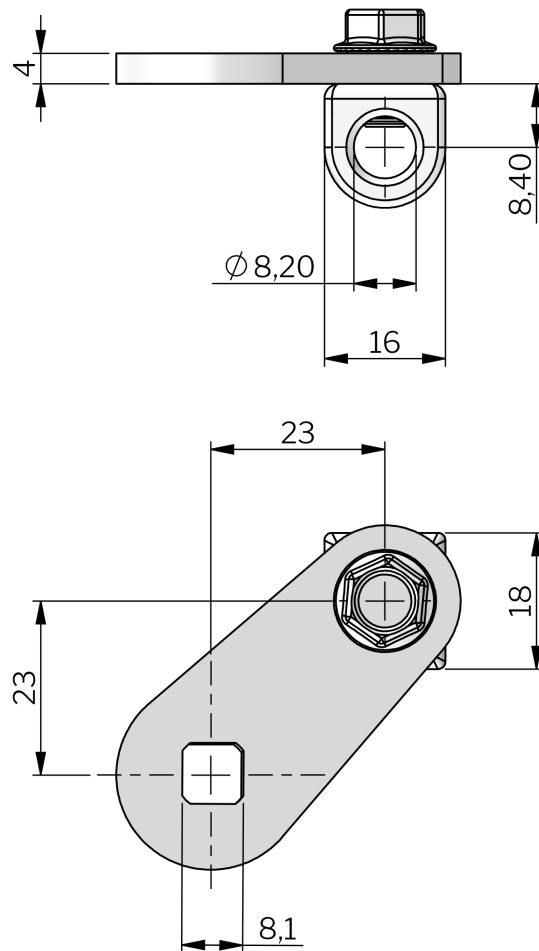
RELATED PRODUCTS

Interlink rods: 2-313a

Use the Index Code at industrilas.com

TECHNICAL INFORMATION

Standards: VDI 6022



Industrilas
— When access counts —

P/N	Description	Material
263079-10	Rod link	Stainless steel 304
265079-10	Rod link	Steel