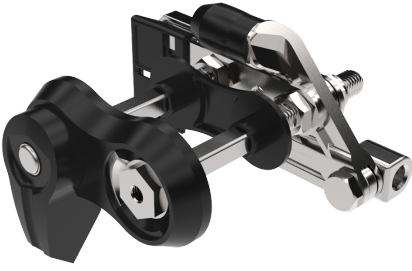


KLIMA-FLEX 1 SAFETY CATCH



The safety catch is used for pressurized HVAC units. To prevent doors from opening up without control, the safety catch secondary cam captures the door while positive air pressure escapes. When the secondary knob is turned, the door is opened safely. When operating the latch during closing, the safety catch automatically resets. The safety catch is compatible with all handles in the Klima-flex 1 system.



MATERIAL

Locking unit: Zinc, zinc plated, steel, zinc plated and glass fibre reinforced Polyamide (PA6GF30), black

Roller cam: Zinc, zinc plated and glass fibre reinforced Polyamid (PA6GF30), black

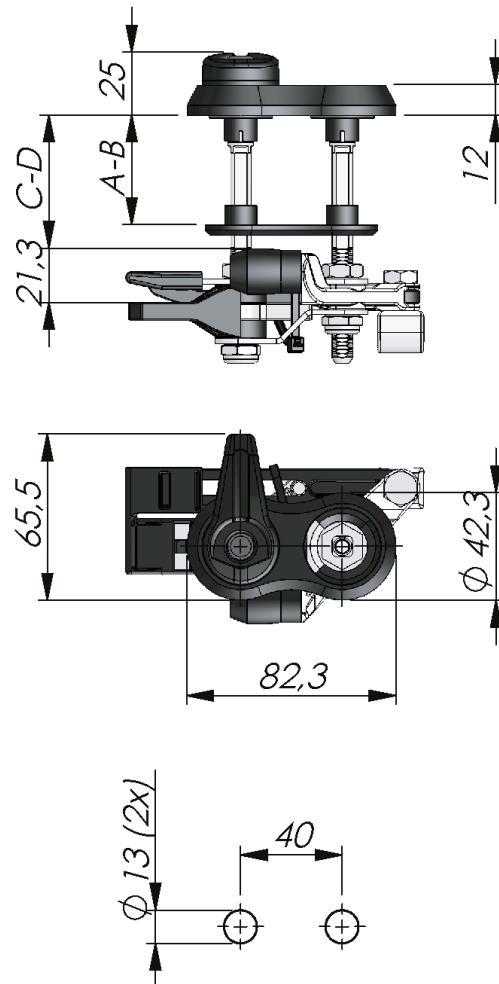
Safety cam: Glass fibre reinforced Polyamide (PA6GF30)

RELATED PRODUCTS

Handles: 2-310ab, 2-310c
Use the Index Code at industrilas.com

TECHNICAL INFORMATION

Standards: VDI 6022



P/N	Description	A-B Min	A-B Max	C-D Min	C-D Max
265078-T25H	Right version	18	30	32	38
265078-T25V	Left version	18	30	32	38
265078-T40H	Right version	18	45	47	53
265078-T40V	Left version	18	45	47	53
265078-T50H	Right version	18	55	57	63
265078-T50V	Left version	18	55	57	63
265078-T85H	Right version	18	80	82	88
265078-T85V	Left version	18	80	82	88

Products are available on request only.