



KLIMA-FLEX 2 HANDLE

Klima-flex 2 Handle is designed for extreme simplicity in mounting. It can be used on both the inside and outside of the door and there are three versions: tool operated, key locking and non-locking.

The handle for doors opening inwards has a built-in adjustable roller cam that reduces friction and increases gasket compression. The cam is normally placed on the left side of the handle but can be placed on the right.



MATERIAL

Handle: Glass fibre reinforced polyamide (PA6GF30)

Roller cam: Zinc, zinc plated and glass fibre reinforced Polyamid (PA6GF30), black

Screw: Steel, zinc plated

RELATED PRODUCTS

Handles: 2-315c, 2-315f

Latching units: 2-315c, 2-315gh

Safety catches: 2-315f

Keys: 2-372, 2-370

Rod links: 2-315f

Use the Index Code at industrilas.com

TECHNICAL INFORMATION

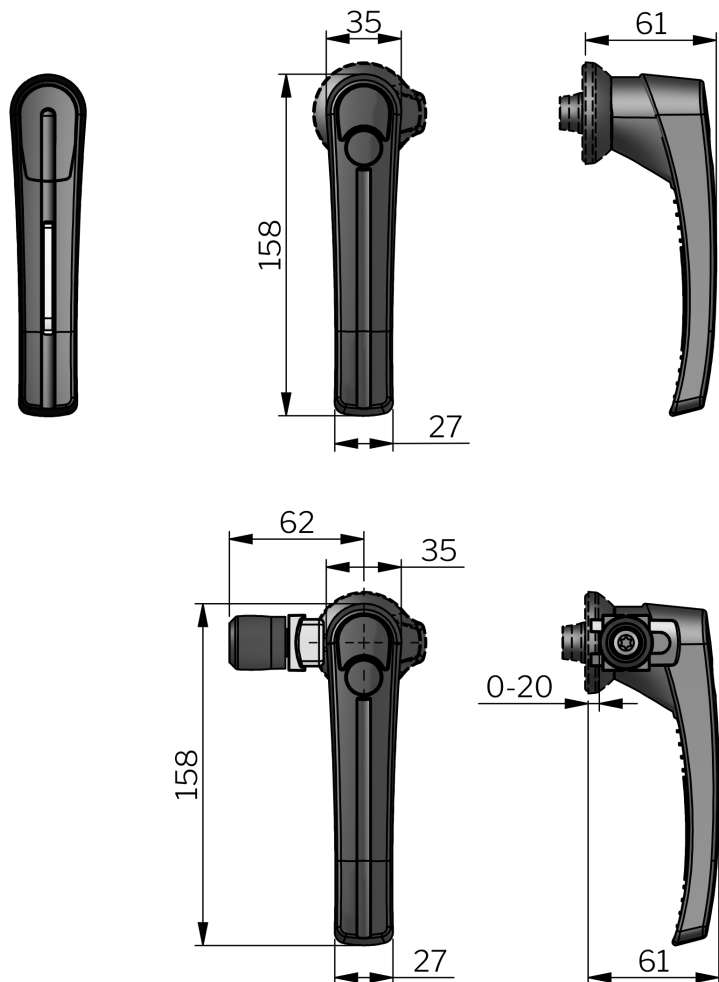
Standards: VDI 6022

Contact us for Klima-flex 2 handles with the roller cam pre-mounted on the right hand side.

When used as an inside handle this handle is only approved in combination with non-locking outside handle.

Cylinder information: Supplied with two keys

Key extraction: Open / Closed



Industrilas
— When access counts —

P/N	Description	Latching type
2651-205000	With roller cam	Non-locking
2651-205105	With roller cam	Square 8
2651-205114	With roller cam	Triangle 7
2651-205134	With roller cam	Recessed hexagon 8 (5/16 inch)
2651-205280	With roller cam	IL101 *
2651-205281	With roller cam	IL0333 *
2651-205290	With roller cam	Keyed to differ *
2651-205400	Without roller cam	Non-locking
2651-205505	Without roller cam	Square 8
2651-205514	Without roller cam	Triangle 7
2651-205534	Without roller cam	Recessed hexagon 8 (5/16 inch)
2651-205680	Without roller cam	IL101 *
2651-205681	Without roller cam	IL0333 *
2651-205690	Without roller cam	Keyed to differ *
2651-225400	One-piece handle. Without roller cam	Non-locking
2651-225700	One-piece handle. Without roller cam	Padlockable

Products marked with * are key-locking and are supplied with two keys.